



Art. 950 Rubinetti a maschio serie API6D – scartamento ANSI B16.10, flange ANSI B16.5, oppure a saldare Butt Welding ANSI B16.25, dimensioni API6D. Test in conformità a API 598. Prodotte in WCB ·WC6 ·WC9 ·CF8 ·CF8M ·CF3 ·CF3M CN7M, LC1, LC2, LC3, LCB, LCC, Monel, 20# Alloys, 4°, 5°, **bronzo alluminio per acqua di mare C95800, C95500, e altri materiali a richiesta.**



Art. 950 API6D Plug valves series API6D, face to face ANSI B16.10, flanges ANSI B16.5, or Butt Welding ANSI B16.25. Test in conformity to API 598. Produced in WCB ·WC6 ·WC9 ·CF8 ·CF8M ·CF3 ·CF3M CN7M, LC1, LC2, LC3, LCB, LCC, Monel, 20# Alloys, 4°, 5°, **aluminium bronze for sea water C95800, C95500, and othr materials on request.**

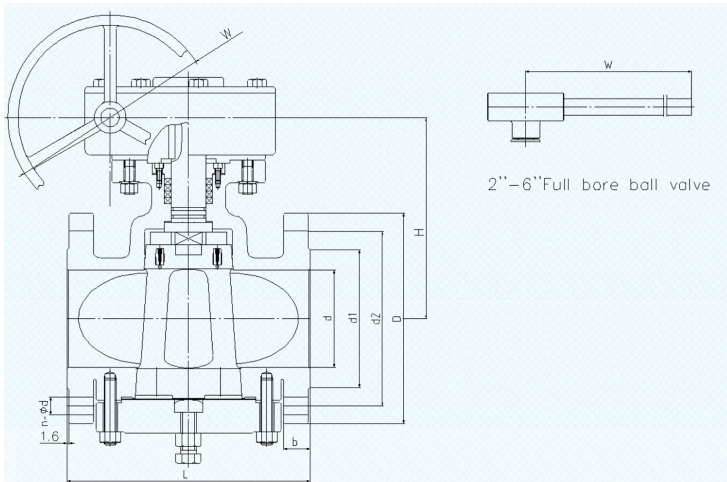


CE-1521-1  
CE-1521-2  
CE-1521-3  
CE-1521-4  
CE-1521-5



**Eugitive  
Emission  
Test  
Certificates  
ISO 15848-1**

Series 950 PLUG VALVE 2 WAY Class 150 API6D, dimensions:

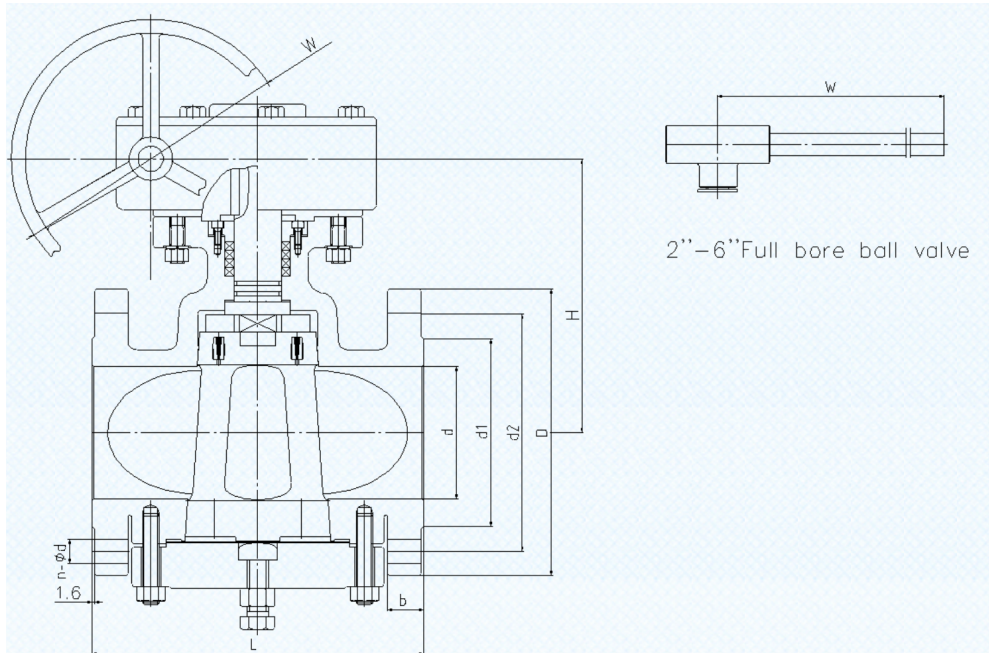


NPS	in	2	2 1/2	3	4	6	8	10	12	14	16	18	20	24
d	mm	51	64	76	102	152	203	254	305	337	387	438	489	591
L(RF)	mm	178	190	203	229	394	457	533	610	686	762	864	914	1016
d1	mm	92	105	127	157	216	270	324	381	413	470	533	584	692
d2	mm	120.5	139.5	152.5	190.5	241.5	298.5	362	432	476	540	578	635	749.5
D	mm	152	178	190	229	279	343	406	483	533	597	635	699	813
b	mm	16	18	19	24	26	29	31	32	35	37	40	43	48
n-φd	mm	4-19	4-19	4-19	8-19	8-22	8-22	12-25	12-25	12-29	16-29	16-32	20-32	20-35
H	mm	175	180	190	214	270	370	420	490	500	645	690	740	800
W	mm	350	600	700	700	900	600	600	600	600	700	760	760	760

EURA srl

Via Bissolati, 6 20125 Milano - Tel +39 02.89.05.26.98 Fax +39 02.68.87.635  
sales@euraitaly.com - www.euraitaly.com

Series 950 PLUG VALVE 2 WAY Class 300 API6D, dimensions:



NPS	in	2	2 1/2	3	4	6	8	10	12	14	16	18	20	24
d	mm	51	64	76	102	152	203	254	305	337	387	432	483	584
L(RF)	mm	216	241	283	305	403	502	568	648	762	838	914	991	1143
d1	mm	92	105	127	157	216	270	324	381	413	470	533	584	692
d2	mm	127	149	168.5	200	270	330	387.5	451	514.5	571.5	628.5	686	813
D	mm	165	190	210	254	318	381	445	521	584	648	711	775	914
b	mm	23	26	29	32	37	42	48	51	54	58	61	64	70
n-φd	mm	8-19	8-22	8-22	8-22	12-22	12-25	16-29	16-32	20-32	20-35	24-35	24-35	24-41
H	mm	184	190	195	265	307	390	433	500	630	740	790	830	890
W	mm	500	550	600	700	900	600	600	700	700	760	760	760	760

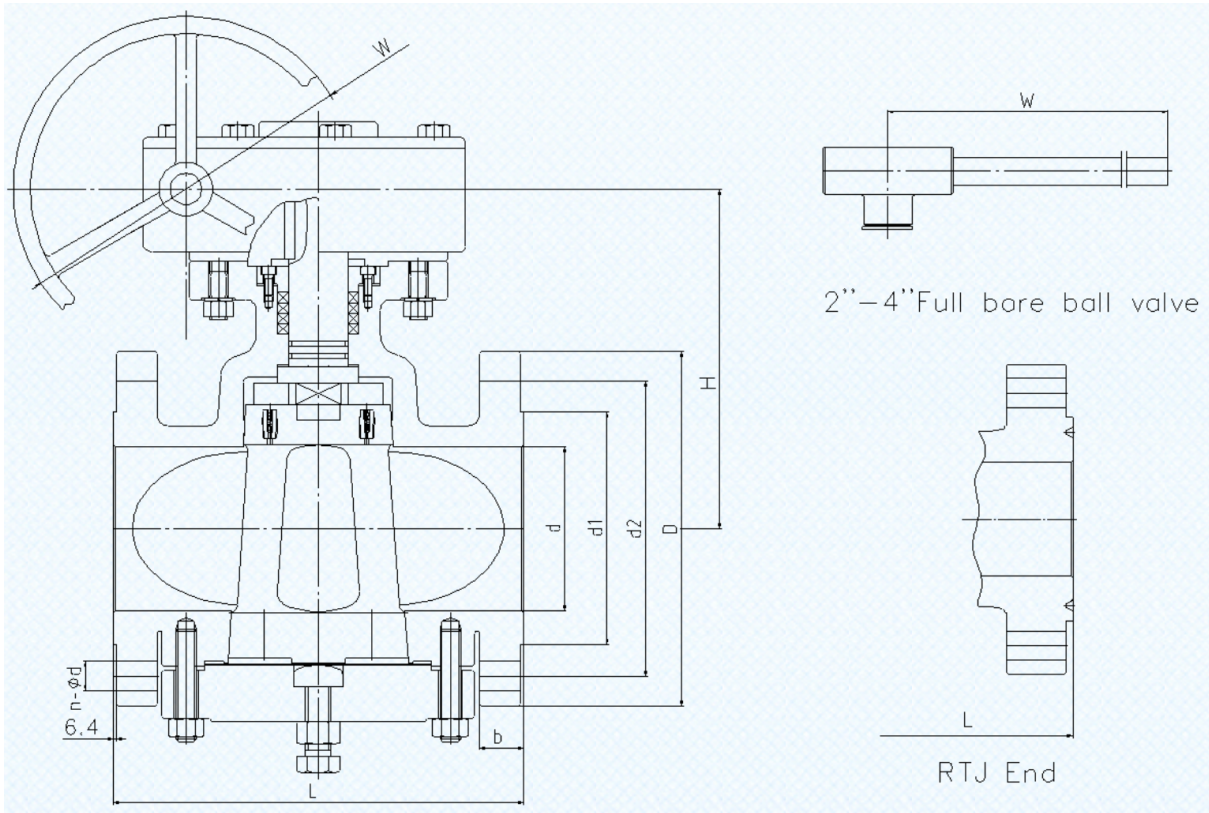


CE-1521-1  
CE-1521-2  
CE-1521-3  
CE-1521-4  
CE-1521-5



**Eugitive  
Emission  
Test  
Certificates  
ISO 15848-1**

Series 950 PLUG VALVE 2 WAY Class 600 API6D, dimensions:



NPS	in	2	3	4	5	6	8	10	12	14	16	18	20	24
d	mm	51	76	102	127	152	200	248	298	327	375	419	464	559
L(RF)	mm	292	356	432	508	559	660	787	838	889	991	1092	1194	1397
L(RTJ)	mm	295	359	435	511	562	664	791	841	892	994	1095	1200	1407
d1	mm	92	127	157	186	216	270	324	381	413	470	533	584	692
d2	mm	127	168.5	216	267	292	349	432	489	527	603	654	724	838
D	mm	165	210	273	330	356	419	508	559	603	686	743	813	940
b	mm	26	32	38	45	48	56	64	67	70	77	83	89	102
n-φd	mm	8-19	8-22	8-25	8-29	12-29	12-32	16-35	20-35	20-38	20-41	20-44	24-44	24-52
H	mm	194	205	270	300	350	405	460	500	630	740	790	830	890
W	mm	500	780	1100	600	600	600	600	700	700	760	760	760	760

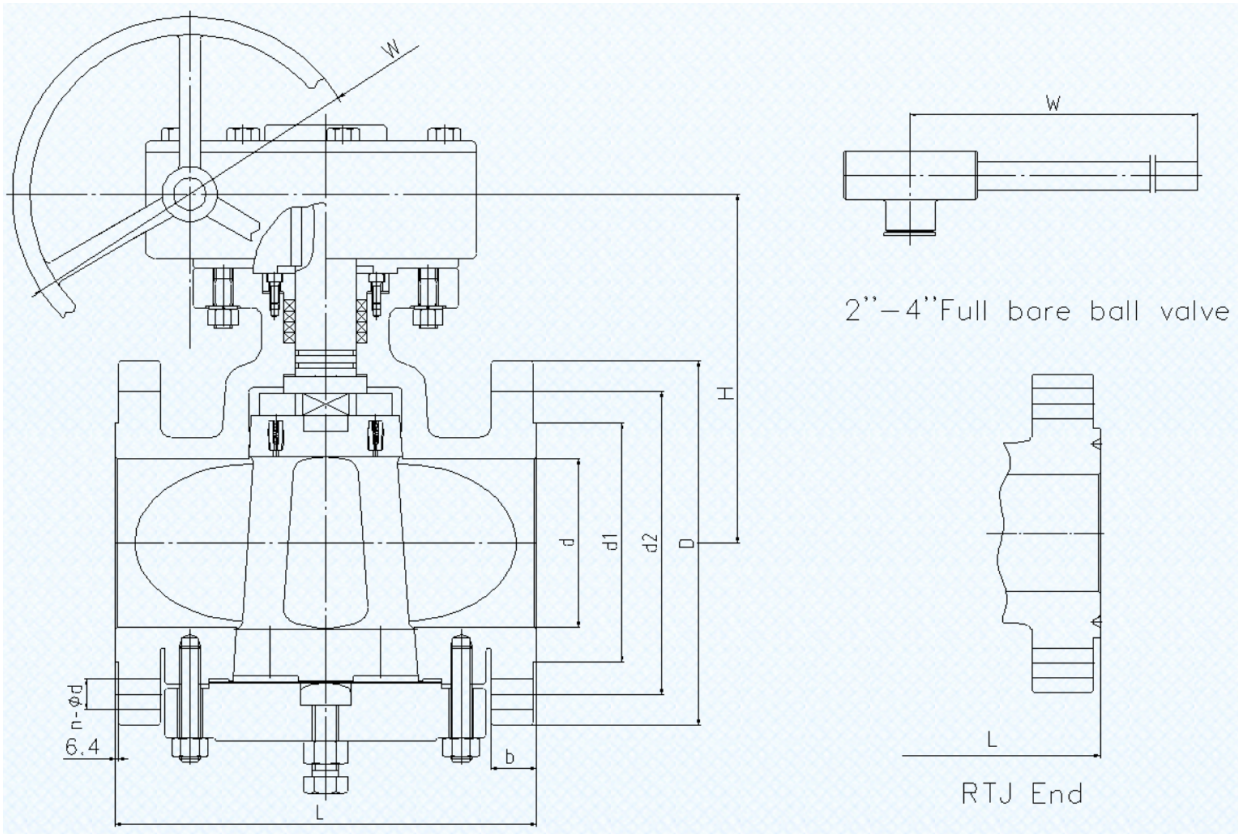


CE-1521-1  
CE-1521-2  
CE-1521-3  
CE-1521-4  
CE-1521-5



**Eugitive  
Emission  
Test  
Certificates  
ISO 15848-1**

Series 950 PLUG VALVE 2 WAY Class 900 API6D, dimensions:



NPS	in	2	3	4	5	6	8	10	12	14	16
d	mm	47	73	98	121	146	190	234	282	311	354
L(RF)	mm	368	381	457	559	610	737	838	965	1029	1130
L(RTJ)	mm	371	384	460	562	613	740	841	968	1039	1140
d1	mm	92	127	157	186	216	270	324	381	413	470
d2	mm	165	190.5	235	279.4	317.5	393.7	469.9	533.4	558.8	615.9
D	mm	216	241	292	349	381	470	545	610	640	705
b	mm	38.5	38.5	44.5	51	56	64	70	79.5	86	89
n-φd	mm	8-26	8-26	8-32	8-35	12-32	12-39	16-39	20-39	20-42	20-45
H	mm	215	250	300	350	365	405	460	510	550	600
W	mm	700	800	1100	600	700	760	760	760	760	760



CE-1521-1  
CE-1521-2  
CE-1521-3  
CE-1521-4  
CE-1521-5



**Eugitive  
Emission  
Test  
Certificates  
ISO 15848-1**

### TRIM: API NORMS

Internal parts-API nr.	Seat ring or body	Gate / disc / ball or body	Stem	No of internal parts API nr.	Seat ring or body	Gate / disc / ball or body	Stem
1	13Cr	13Cr	13Cr	31	STELLITE	321SS	321SS
2	304SS	304SS	304SS	32	STELLITE	STELLITE	321SS
3	310SS	310SS	310SS	33	347SS	347SS	347SS
4	HARD 13Cr	HARD 13Cr	13Cr	34	STELLITE	347SS	347SS
5	STELLITE	STELLITE	13Cr	35	NICKEL ALLOY	13Cr	13Cr
6	Cu-Ni	13Cr	13Cr	36	A105/PTFE	A105+ENP	A105+ENP
7	13Cr	HARD 13Cr	13Cr	37	A105/PTFE	WCB+ENP	A105+ENP
8	STELLITE	13Cr	13Cr	38	13Cr/PTFE	13Cr	13Cr
9	Cu-Ni	Cu-Ni	Cu-Ni	39	304SS/PTFE	304SS	304SS
10	316SS	316SS	316SS	40	316SS/PTFE	316SS	316SS
11	Cu-Ni	STELLITE	Cu-Ni	41	A105/RPTFE	A105+ENP	A105+ENP
12	STELLITE	316SS	316SS	42	A105/RPTFE	WCB+ENP	A105+ENP
13	ALLOY 20	ALLOY 20	ALLOY 20	43	13Cr/RPTFE	13Cr	13Cr
14	STELLITE	ALLOY 20	ALLOY 20	44	304SS/RPTFE	304SS	304SS
15	STELLITE	STELLITE	304SS	45	316SS/RPTFE	316SS	316SS
16	STELLITE	STELLITE	316SS	46	A105/NYLON	A105+ENP	A105+ENP
17	STELLITE	STELLITE	347SS	47	A105/NYLON	WCB+ENP	A105+ENP
18	STELLITE	STELLITE	ALLOY 20	48	A105/NYLON	304SS	304SS
19	MONEL	MONEL	MONEL	49	A105/NYLON	316SS	316SS
20	BRONZE	BRONZE	13Cr	50	13Cr/NYLON	13Cr	13Cr
21	HASTELLOY B	HASTELLOY B	HASTELLOY B	51	304SS/NYLON	304SS	304SS
22		HASTELLOY C	HASTELLOY C	52	316SS/NYLON	316SS	316SS
23	STELLITE	304SS	304SS	53	A105/PEEK	A105+ENP	A105+ENP
24	304LSS	304LSS	304LSS	54	A105/PEEK	WCB+ENP	A105+ENP
25	STELLITE	304LSS	304LSS	55	13Cr/PEEK	13Cr	13Cr
26	STELLITE	STELLITE	304LSS	56	304SS/PEEK	304SS	304SS
27	316LSS	316LSS	316LSS	57	316SS/PEEK	316SS	316SS
28	STELLITE	316LSS	316LSS				
29	STELLITE	STELLITE	316LSS				
30	321SS	321SS	321SS				