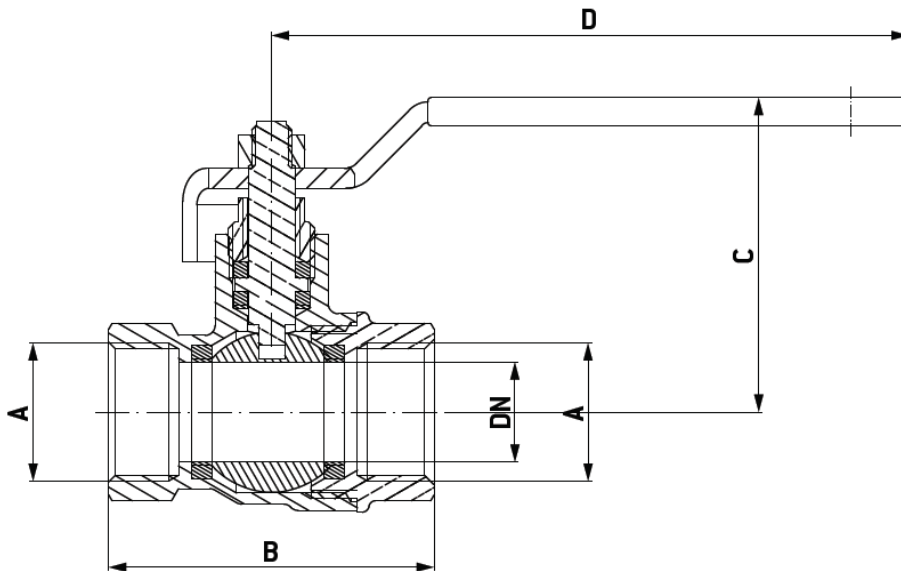
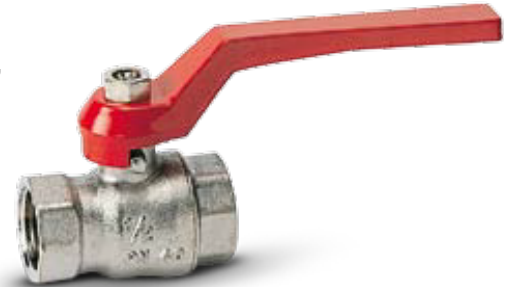


**Art 710s40** Forged brass ball valve, nikel plated, series PN40, working temperatures (-10°C to +95°C), full bore, 2 NBR O-ring on the stem, blow out proof stem



DN	A	B	C	D	PN
15	1/2"	49	49	92	40
20	3/4"	55	52	92	40
25	1"	65	60	120	40
32	1.1/4"	77	68	120	30
40	1.1/2"	90	88	150	30
50	2"	104	97	150	30

As a continuous research of product development, patterns are liable to be modified as improvements are introduced. Drawings, pressures and sizes, although accurate at the moment of going to press, should therefore be considered as indicative information only. 01/04