

## Art. 680wafer-685lug PTFE Lined Butterfly Valve

ISO 5211 pad universal mounting permits easy automations even with the valves in the pipe line.

Integral body, PTFE seat precision machinery processing, extra wide spheroidal seat design provides positives shut off.

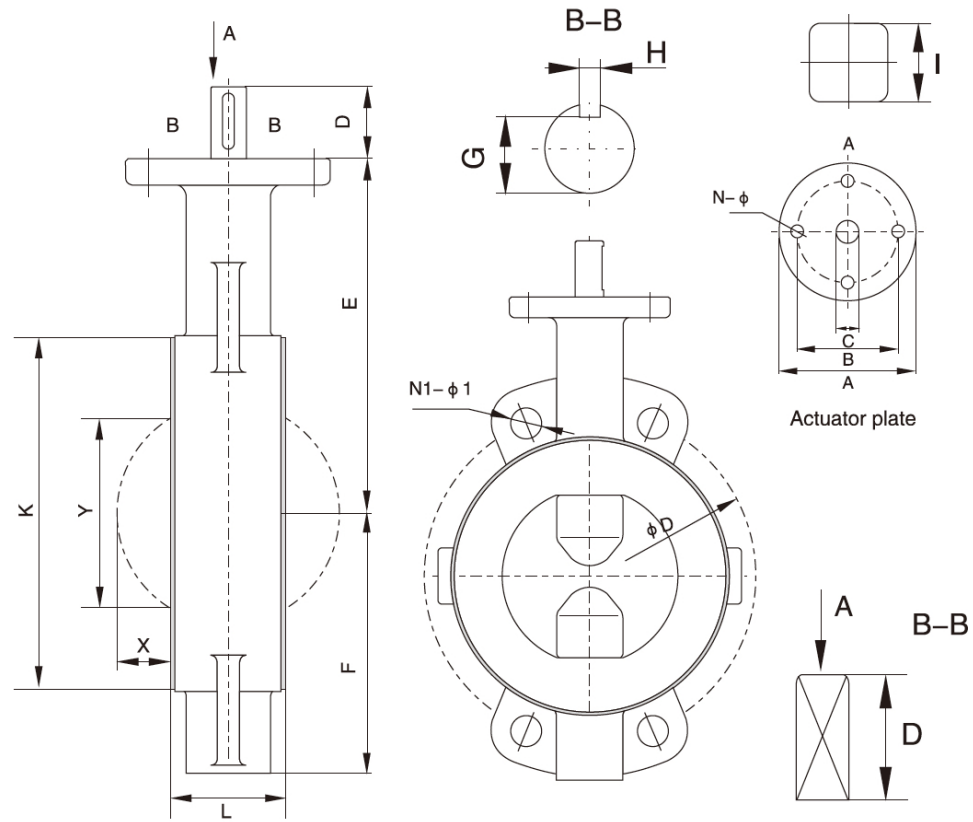
One piece stem, blow out-proof machined. Rated for full vacuum and thermal cycling. Minimum lined thickness is of 3mm to eliminate permeations and possible delamination



- Size: 50mm – 900mm (2” – 36”)
- Working pressure: 0,1 mbar – 10bar
- Temp. range: -20 +200°C
- Design and Manufacture: API609, DIN EN1092 or JIS B2032
- Face to Face: ASME B16.5 DIN EN558.1 JIS B2002
- Flange Ends: ASME B16.5 DIN 2532, JIS B2212 (150lb, Pn10)
- Visual Inspection: MSS SP54
- Testing: API 598, DIN 3230, JIS B2003
- Pressure and Temperature: ASME B16.34
- Operator Type: Lever/Gear/Pneumatic/Electric
- Spark testing: 14kv

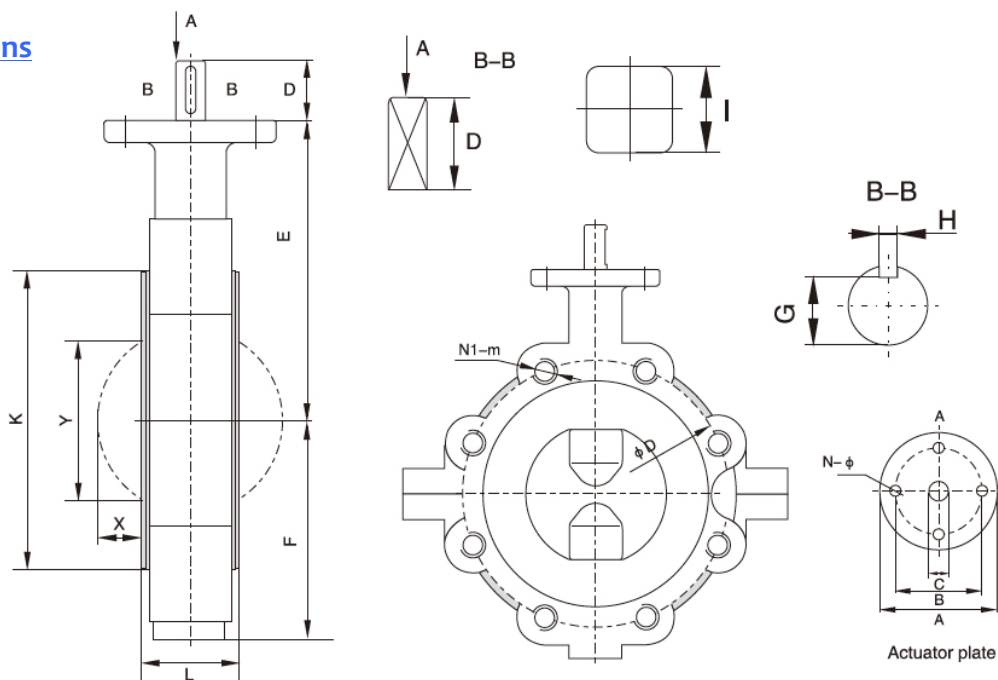
Description	Qty.	Materials	ASTM	JIS	DIN
<b>BODY</b>	2	Carbon Steel	A216-WCB	G5151 SCPH2	GS-45(1.0446)
		Stainless Steel	A351-CF8	G5121 SCS13A	G-X6CrNiMo1810
		Ductile Iron	ASTM A395	FCD400	GGG-40 ( 0.7040)
<b>ONE-PIECE DISC</b>	1	Carbon Steel	A216-WCB	G5151 SCPH2	GS-45(1.0446)
		Stainless Steel	A351-CF8	G5121 SCS13A	G-X6CrNiMo1810
		Ductile Iron	A536-60-40-18	FCD350-22	1693-1997GGG-35.3(0.7033)
<b>BODY LINER(SEAT)</b>	1	PTFE/UHMWPE/PO/PE/FEP/PFA	-	-	-
<b>ELASTIC SPACER</b>	2	Silicone Rubber	-	-	-
<b>AXLE SLEEVE</b>	4	Carbon Steel+PTFE	1020+PTFE	S20C+PTFE	C20+PTFE
<b>TAPER SEAL CARTRIDGE</b>	2	Carbon Steel	1020	S20C	C20
<b>TAPER SEAL RING</b>	2	PTFE	-	-	-
<b>BELLEVILLE SPRING</b>	4	Spring Steel	E52100	Su52	100Cr6
<b>O-RING</b>	3	VITON	-	-	-
<b>HEX BOLT</b>	2	Stainless Steel	A 182 F304	G4303-SUSF304	X5CrNi18 10 DIN 17440

### Wafer Type Dimension



DN NPS		Dimensions in mm														A	ASME 150LB		JIS 10K		DIN Pn10		Weight	CV	Torque
mm	in	A	B	C	D	E	F	G	H	I	N-φ	L	K	X	Y	ISO 5211	φD	N1-φ1	φD	N1-φ1	φD	N1-φ1	[Kg]		[N-m]
50	2	77	57	12.6	23	115	60	/	/	11	4-10	52	100	9	42	F07	120.7	4-19	120	4-19	125	4-18	2.2	210	25
65	1½	77	57	12.6	23	115	60	/	/	11	4-10	52	100	9	42	F07	139.7	4-19	140	4-19	145	4-18	2.2	210	25
80	3	92	70	12.6	26	150	86	/	/	11	4-10	46	135	18	66	F07	152.4	4-19	150	8-19	160	4-18	4.2	410	50
100	4	92	70	15.9	26	160	115	/	/	14	4-10	52	158	25	85	F07	190.5	8-19	175	8-19	180	8-18	6.4	710	80
125	5	92	70	15.9	26	175	130	/	/	14	4-10	56	185	35	112	F07	215.9	8-22	210	8-23	210	8-18	7.9	1150	90
150	6	115	89	22.2	28	192	145	/	/	17	4-14	56	210	48	139	F07	241.3	8-22	240	8-23	240	8-23	10.4	1750	130
200	8	115	89	22.2	28	220	175	/	/	17	4-14	60	263	69	187	F10	298.5	8-22	290	12-23	295	8-23	17	3550	180
250	10	140	108	31.8	35	275	215	/	/	24	4-14	68	320	90	237	F10	362	12-25	355	12-25	350	12-23	25	5100	400
300	12	140	108	31.8	35	310	250	/	/	24	4-14	78	368	112	290	F12	431.8	12-25	400	16-25	400	12-23	34.5	8870	610
350	14	210	165	38	55	360	285	33	10	/	4-22	78	410	136	341	F14	476.3	20-1 3/8	445	16-25	460	16-23	75	9200	850
400	16	210	165	38	55	395	320	33	10	/	4-22	102	460	147	383	F14	539.8	20-1 1/4	510	16-27	515	16-27	110	14500	1170
450	18	210	165	44	65	435	360	38.5	14	/	4-22	114	518	167	432	F14	577.9	16-1 1/4	565	20-27	/	/	130	20100	1560
500	20	210	165	44	65	435	385	38.5	14	/	4-22	127	565	181	473	F14	635	16-1 1/8	620	20-27	620	20-27	190	22000	1820
600	24	210	165	55	75	525	445	49	16	/	4-22	154	658	218	569	F14	749.3	12-1 1/8	730	24-33	725	20-30	280	31000	2990

### Lug Type Dimensions



DN	NPS	Dimensions in mm														A	ASME B16.5		JIS B2212 10K		DIN2532 Pn10		Weight	CV	Torque
		mm	In	A	B	C	D	E	F	G	H	I	N-φ	L	K		X	Y	ISO 5211	φD	N1-m	φD			
50	2	77	57	12.6	23	115	60	/	/	11	4-10	52	100	9	42	F07	120.7	4-5/8	120	4-16	125	4-M16	2.9	210	25
65	2½	77	57	12.6	23	115	60	/	/	11	4-10	52	100	9	42	F07	139.7	4-5/8	140	4-16	145	4-M16	2.9	210	25
80	3	92	70	12.6	26	150	86	/	/	11	4-10	46	135	18	66	F07	152.4	4-5/8	150	8-16	160	8-M16	5.5	410	50
100	4	92	70	15.9	26	160	115	/	/	14	4-10	52	158	25	85	F07	190.5	8-5/8	175	8-16	180	8-M16	8.3	710	80
125	5	92	70	15.9	26	175	130	/	/	14	4-14	56	185	35	112	F07	215.9	8-3/4	210	8-20	210	8-M16	10.3	1150	90
150	6	115	89	22.2	28	192	145	/	/	17	4-14	56	210	48	139	F07	241.3	8-3/4	240	8-20	240	8-M20	13.5	1750	130
200	8	115	89	22.2	28	220	175	/	/	17	4-14	60	263	69	187	F10	298.5	8-3/4	290	12-20	295	8-M20	22.1	3550	180
250	10	140	108	31.8	35	275	215	/	/	24	4-14	68	320	90	237	F10	362	12-7/8	355	12-22	350	12-M20	32.5	5100	400
300	12	140	108	31.8	35	310	250	/	/	24	4-14	78	368	112	290	F12	431.8	12-7/8	400	16-22	400	12-M20	44.9	8870	610
350	14	210	165	38	55	360	285	33	10	/	4-22	78	410	136	341	F14	476.3	12-1	445	16-22	460	16-M20	97	9200	850
400	16	210	165	38	55	395	320	33	10	/	4-22	102	460	147	383	F14	539.8	16-1	510	16-24	515	16-M24	143	14500	1170
450	18	210	165	44	65	435	360	38.5	14	/	4-22	114	518	167	432	F14	577.9	16-1 1/8	565	20-24	/	/	169	20100	1560
500	20	210	165	44	65	435	385	38.5	14	/	4-22	127	565	181	473	F14	635	20-1 1/8	620	20-24	620	20-M24	247	22000	1820
600	24	210	165	55	75	525	445	49	16	/	4-22	154	658	218	569	F14	749.3	20-1 1/4	730	24-30	725	20-M27	365	31000	2990