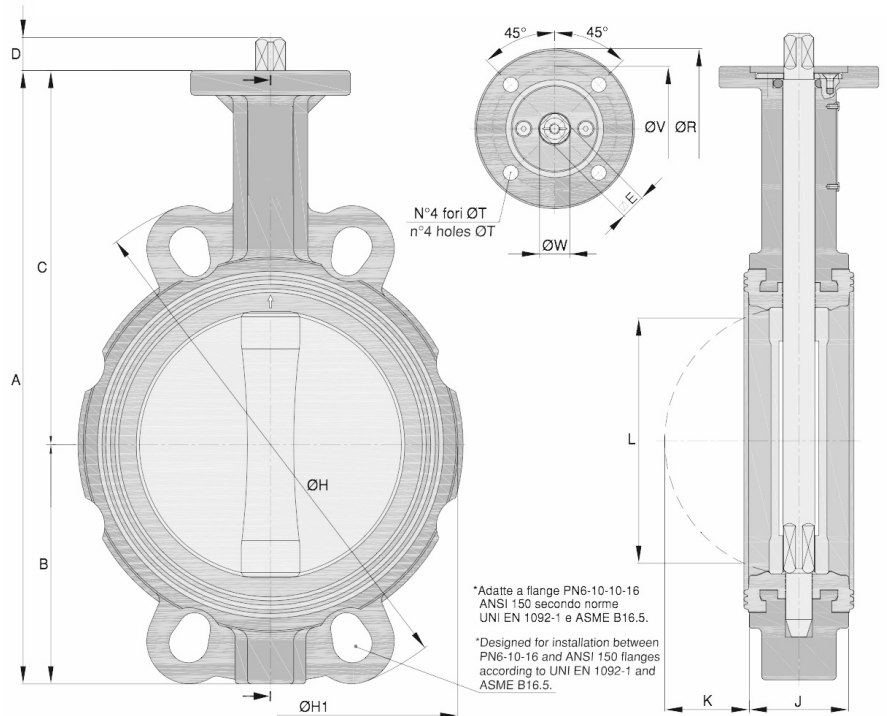


Art 680 - Art 685 Lug

Butterfly valve for water, air and not aggressive liquids. Suitable for flanges UNI – DIN EN 1092-1 (PN6/10/16) and ASME B16.5 (ANSI 150), perfect tight. Seat I EPDM or BUNA.

Studied in conformity to I.S. EN 558/1 API 609 – MSS SP67 – ASME B16.5/ B16.34.

Marking CE and on request with Certificate PED - ATEX



| DN | A | B | C | D | E | Ø W | Ø H | Ø H1 | J | K | L | Ø R | Ø V ISO 5211 | Ø T | Weight kg |
|-----|-----|------|-------|----|----|-----|-------|------|----|------|------|-----|--------------|------|-----------|
| 40 | 190 | 60,4 | 129,6 | 10 | 9 | 11 | 145 | 83,5 | 33 | 4,25 | 19,7 | 70 | 50 (F05) | 7 | 1,7 |
| 50 | 207 | 72 | 135 | 12 | 11 | 13 | 162 | 99 | 43 | 4,75 | 21,2 | 70 | 50 (F05) | 7 | 2,7 |
| 65 | 232 | 82 | 150 | 15 | 14 | 16 | 180,5 | 116 | 46 | 10,5 | 44,6 | 90 | 70 (F07) | 8,5 | 3,3 |
| 80 | 252 | 92 | 160 | 15 | 14 | 16 | 198 | 135 | 46 | 18 | 65 | 90 | 70 (F07) | 8,5 | 3,4 |
| 100 | 282 | 102 | 180 | 15 | 14 | 16 | 224 | 157 | 52 | 25 | 85 | 90 | 70 (F07) | 8,5 | 5 |
| 125 | 315 | 121 | 194,5 | 19 | 14 | 17 | 260 | 197 | 56 | 35,5 | 112 | 90 | 70 (F07) | 8,5 | 7 |
| 150 | 345 | 135 | 210,5 | 19 | 14 | 17 | 287 | 211 | 56 | 44,6 | 138 | 90 | 70 (F07) | 8,5 | 8,2 |
| 200 | 410 | 172 | 238 | 19 | 17 | 21 | 348 | 270 | 60 | 71 | 193 | 120 | 102 (F10) | 11 | 12,7 |
| 250 | 481 | 202 | 279 | 24 | 22 | 26 | 415 | 317 | 68 | 90 | 239 | 150 | 125 (F12) | 13,5 | 21,5 |
| 300 | 553 | 239 | 314 | 24 | 22 | 26 | 483 | 373 | 78 | 111 | 289 | 150 | 125 (F12) | 13,5 | 30 |

(dimensions in mm)

eurá srl

Torque Rating

| Ø | Full Rated Pressures (psi) | | | | Flow Cv Full Open | Weight WD141 (kg) | Weight LD141 (kg) |
|--------|----------------------------|--------|--------|--------|-------------------------|----------------------|----------------------|
| | ΔP 50 | ΔP 100 | ΔP 150 | ΔP 200 | | | |
| 2" | 100 | 106 | 111 | 117 | 115 | 2,62 | 3,92 |
| 2-1/2" | 150 | 163 | 176 | 189 | 196 | 3,49 | 4,36 |
| 3" | 207 | 220 | 232 | 244 | 302 | 3,92 | 4,80 |
| 4" | 290 | 323 | 357 | 390 | 600 | 4,80 | 7,85 |
| 5" | 423 | 481 | 540 | 598 | 1022 | 6,54 | 9,59 |
| 6" | 599 | 691 | 783 | 875 | 1579 | 7,85 | 11,33 |
| 8" | 1060 | 1183 | 1307 | 1430 | 3136 | 13,95 | 18,74 |
| 10" | 1671 | 1872 | 2074 | 2275 | 5340 | 20,49 | 28,77 |
| 12" | 2568 | 2795 | 3023 | 3250 | 8250 | | 44,46 |
| 14" | 2640 | 3070 | 3500 | N/A | 11917 | | 64,52 |
| 16" | 4260 | 4880 | 5500 | N/A | 16388 | | 89,80 |
| 18" | 6287 | 7243 | 8200 | N/A | 21705 | | 120,75 |
| 20" | 8360 | 9180 | 10000 | N/A | 27908 | | 178,73 |
| 24" | 15427 | 16813 | 18200 | N/A | 43116 | | 258,07 |

eurá srl

EURA srl

Via Bissolati, 6 20125 Milano - Tel +39 02.89.05.26.98 Fax +39 02.68.87.635
sales@euraitaly.com - www.euraitaly.com