





## Art. 320 Pressure Seal Gate Valve

 Art. 320 Saracinesche pressure seal. Sono state progettate e realizzate in conformità alle norme ASME B16.34 e nelle serie API 600 oppure ISO 10434. Le saracinesche regolano automaticamente la pressione degli anelli di tenuta man mano che cambia la pressione del medium che passa nella valvola. Esse garantiscono così l'assoluta tenuta della stessa in tutte le condizioni di servizio. La loro progettazione è stata molto accurata e allo stato attuale sono una delle migliori saracinesche pressure seal presenti mercato perché offrono la garanzia di lavorare senza problemi in pressioni e/o temperature estreme e con continue variazioni delle stesse.

 Art 320 Pressure Seal Gate Valves have been designed in accordance with ASME B16.34 where applicable with API Std. 600 or ISO 10434. The gate valves adjust the pressure of sealing ring automatically to fit with the different inner pressures in the pipeline. The design of the valve was deeply studied and now our valve is one of the best in the market. They offer the guaranty to work without problems with extreme pressure and/or temperatures and with continuous variations.

### Application

Face to Face Dimensions: ANSI B16.10

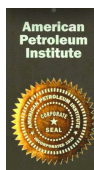
Flange end Dimension: ANSI B16.5

Butt Welded Dimensions: ANSI B16.25

Design and Manufacture: API 600

Pressure Test: API 598

Main material: WCB, WC6, WC9, CF8, CF8M, CF3, CF3M, CN7M, LC1, LC2, LC3, LCB, LCC, Monel, 20# Alloys, 4A, 5A, C95800, C95500, etc.

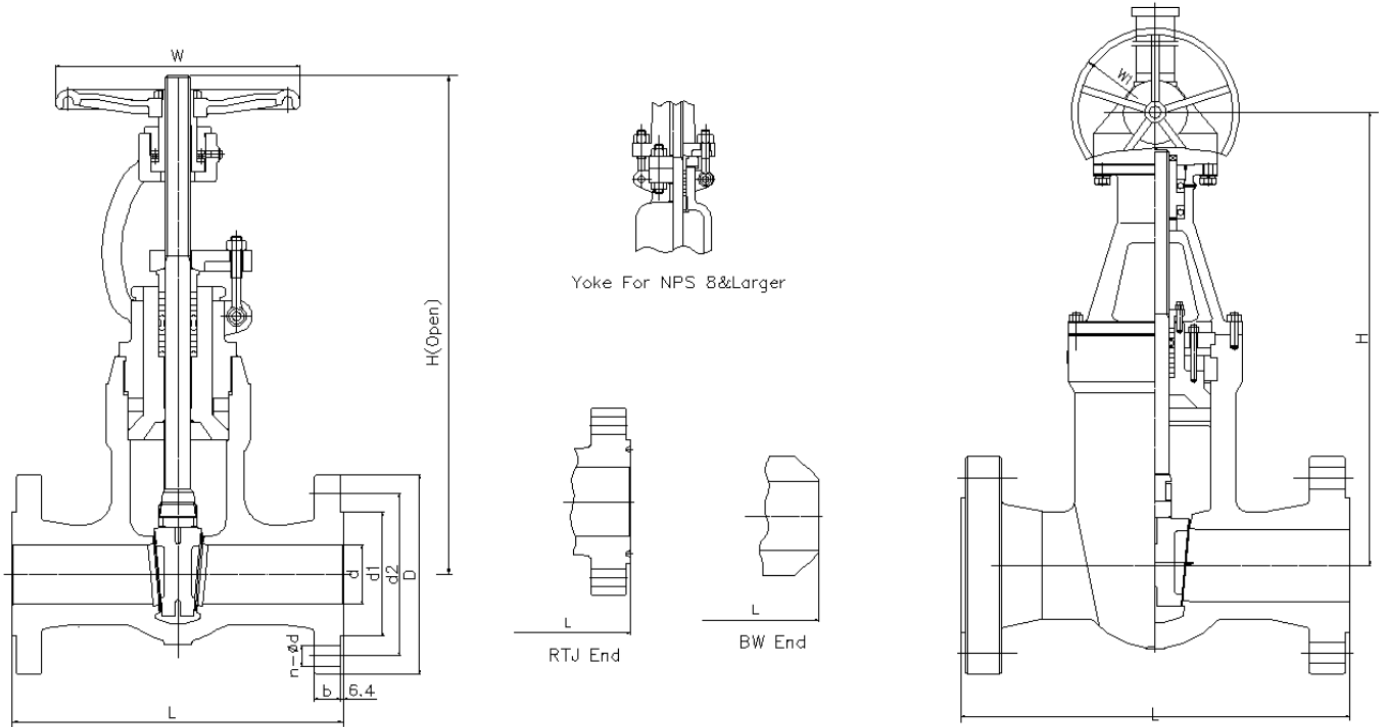


CE-1521-1  
CE-1521-2  
CE-1521-3  
CE-1521-4  
CE-1521-5

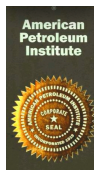


*Eugitive  
Emission  
Test  
Certificates  
ISO 15848-1*

**GATE VALVES Class1500 Pressure Seal Gate Valve**



NPS	in	2	2 1/2	3	4	5	6	8	10	12	14	16
d	mm	47	57	70	92	111	136	178	222	263	289	330
L(RF)	mm	368	419	470	546	673	705	832	991	1130	1257	1384
L(BW)	mm	368	419	470	546	673	705	832	991	1130	1257	1384
L(RTJ)	mm	371	422	473	549	676	711	841	1000	1146	1276	1407
d1	mm	92	105	127	157	186	216	270	324	381	413	470
d2	mm	165	190.5	203.2	241.3	292.1	317.5	393.7	482.6	571.5	635	704.8
D	mm	216	244	267	311	375	394	483	585	675	750	825
b	mm	38.5	41.5	48	54	73.5	83	92.9	108	124	133.5	146.5
n-φd	mm	8-26	8-29	8-32	8-35	8-42	12-39	12-45	12-51	16-54	16-61	16-67
H	mm	510	560	620	728	870	1000	1130	1360			
H <sub>1</sub>	mm			670	770	920	1070	1180	1410	1620	2020	2180
W	mm	280	300	350	400	450	500	750	900			
W <sub>1</sub>	mm			310	310	310	460	460	600	600	600	600

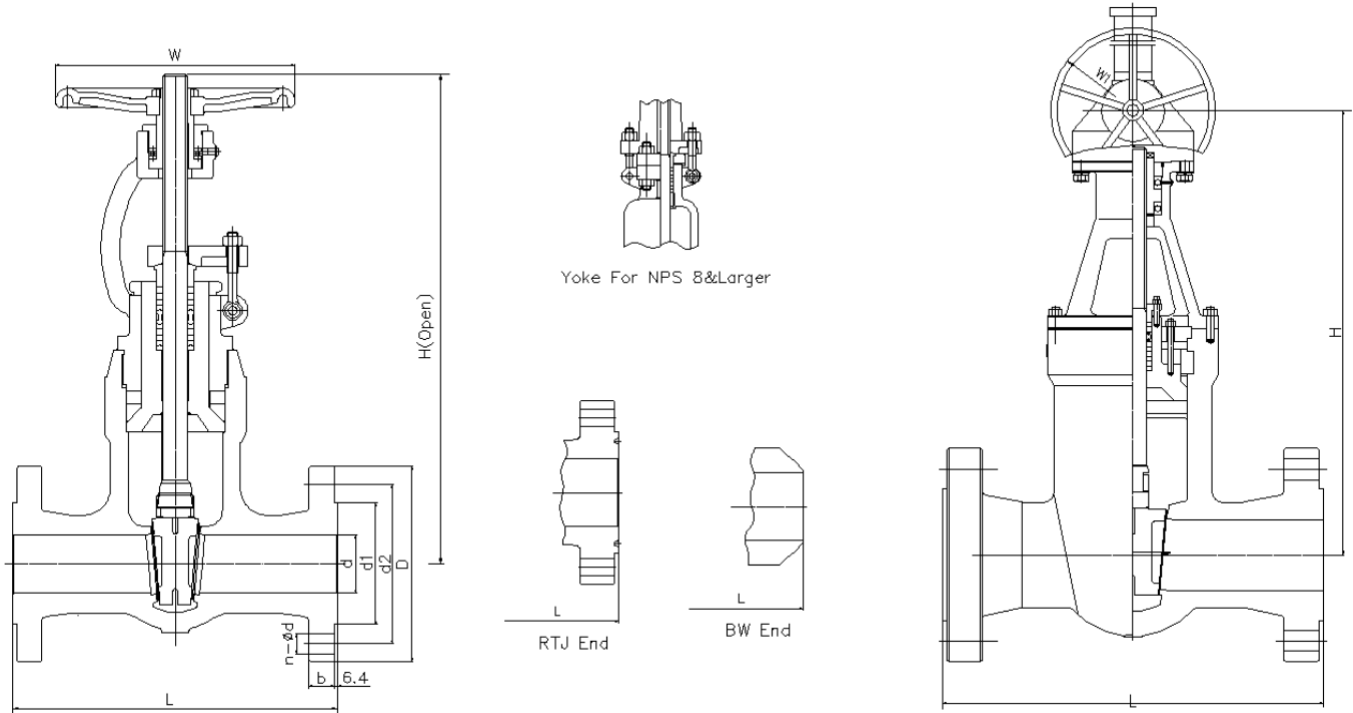


CE-1521-1  
CE-1521-2  
CE-1521-3  
CE-1521-4  
CE-1521-5

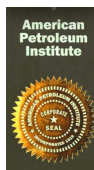


**Eugitive  
Emission  
Test  
Certificates  
ISO 15848-1**

## GATE VALVES Class2500 Pressure Seal Gate Valve



NPS	in	2	2 1/2	3	4	5	6	8	10	12
d	mm	38	47	57	73	92	111	146	184	219
L(RF)	mm	451	508	578	673	794	914	1022	1270	1422
L(BW)	mm	451	508	578	673	794	914	1022	1270	1422
L(RTJ)	mm	454	514	584	683	807	927	1038	1292	1445
d1	mm	92	105	127	157	186	216	270	324	381
d2	mm	171.4	196.8	228.6	273	323.8	368.3	438.1	539.7	619.1
D	mm	235	267	305	356	419	483	550	675	760
b	mm	51	57.5	67	76.5	92.5	108	127	165.5	184.5
n-Φd	mm	8-29	8-32	8-35	8-42	8-48	8-54	12-54	12-67	12-74
H	mm	530	580	650	750	900	1040	1150	1400	
H1	mm	580	630	700	800	960	1100	1200	1460	1660
W	mm	280	300	350	400	500	600	750	900	
W1	mm	310	310	310	310	460	460	460	600	600



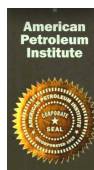
CE-1521-1  
CE-1521-2  
CE-1521-3  
CE-1521-4  
CE-1521-5



**Fugitive  
Emission  
Test  
Certificates  
ISO 15848-1**

### TRIM: API NORMS

Internal parts-API nr.	Seat ring or body	Gate / disc / ball or body	Stem	No of internal parts API nr.	Seat ring or body	Gate / disc / ball or body	Stem
1	13Cr	13Cr	13Cr	31	STELLITE	321SS	321SS
2	304SS	304SS	304SS	32	STELLITE	STELLITE	321SS
3	310SS	310SS	310SS	33	347SS	347SS	347SS
4	HARD 13Cr	HARD 13Cr	13Cr	34	STELLITE	347SS	347SS
5	STELLITE	STELLITE	13Cr	35	NICKEL ALLOY	13Cr	13Cr
6	Cu-Ni	13Cr	13Cr	36	A105/PTFE	A105+ENP	A105+ENP
7	13Cr	HARD 13Cr	13Cr	37	A105/PTFE	WCB+ENP	A105+ENP
8	STELLITE	13Cr	13Cr	38	13Cr/PTFE	13Cr	13Cr
9	Cu-Ni	Cu-Ni	Cu-Ni	39	304SS/PTFE	304SS	304SS
10	316SS	316SS	316SS	40	316SS/PTFE	316SS	316SS
11	Cu-Ni	STELLITE	Cu-Ni	41	A105/RPTFE	A105+ENP	A105+ENP
12	STELLITE	316SS	316SS	42	A105/RPTFE	WCB+ENP	A105+ENP
13	ALLOY 20	ALLOY 20	ALLOY 20	43	13Cr/RPTFE	13Cr	13Cr
14	STELLITE	ALLOY 20	ALLOY 20	44	304SS/RPTFE	304SS	304SS
15	STELLITE	STELLITE	304SS	45	316SS/RPTFE	316SS	316SS
16	STELLITE	STELLITE	316SS	46	A105/NYLON	A105+ENP	A105+ENP
17	STELLITE	STELLITE	347SS	47	A105/NYLON	WCB+ENP	A105+ENP
18	STELLITE	STELLITE	ALLOY 20	48	A105/NYLON	304SS	304SS
19	MONEL	MONEL	MONEL	49	A105/NYLON	316SS	316SS
20	BRONZE	BRONZE	13Cr	50	13Cr/NYLON	13Cr	13Cr
21	HASTELLOY B	HASTELLOY B	HASTELLOY B	51	304SS/NYLON	304SS	304SS
22		HASTELLOY C	HASTELLOY C	52	316SS/NYLON	316SS	316SS
23	STELLITE	304SS	304SS	53	A105/PEEK	A105+ENP	A105+ENP
24	304LSS	304LSS	304LSS	54	A105/PEEK	WCB+ENP	A105+ENP
25	STELLITE	304LSS	304LSS	55	13Cr/PEEK	13Cr	13Cr
26	STELLITE	STELLITE	304LSS	56	304SS/PEEK	304SS	304SS
27	316LSS	316LSS	316LSS	57	316SS/PEEK	316SS	316SS
28	STELLITE	316LSS	316LSS				
29	STELLITE	STELLITE	316LSS				
30	321SS	321SS	321SS				



CE-1521-1  
CE-1521-2  
CE-1521-3  
CE-1521-4  
CE-1521-5



*Eugitive  
Emission  
Test  
Certificates  
ISO 15848-1*