



Art. 300 Saracinesche serie API 600 – BS 1414 scartamenti ANSI B16.10, flange ANSI B16.5, oppure a saldare Butt Welding ANSI B16.25, test in conformità a API 598. Prodotte in WCB \WC6 \WC9 \CF8 \CF8M \CF3 \CF3M CN7M, LC1, LC2, LC3, LCB, LCC, Monel, 20# Alloys, 4°, 5°, C95800, C95500, e altri materiali a richiesta OS&Y, vite esterna, disegno in conformità a API 600 – BS 1414.



Art. 300 Gate valves series API 600, face to face ANSI B16.10, flanges B16.5, or Butt Welding ANSI B16.25. Test in conformity to API 598. Produced in WCB \WC6 \WC9 \CF8 \CF8M \CF3 \CF3M CN7M, LC1, LC2, LC3, LCB, LCC, Monel, 20# Alloys, 4°, 5°, C95800, C95500, and othr materials on request. OS&J rising stem, design in conformity to API 600 – BS 1414.



CE-1521-1
CE-1521-2
CE-1521-3
CE-1521-4
CE-1521-5



*Eugitive
Emission
Test
Certificates
ISO 15848-1*

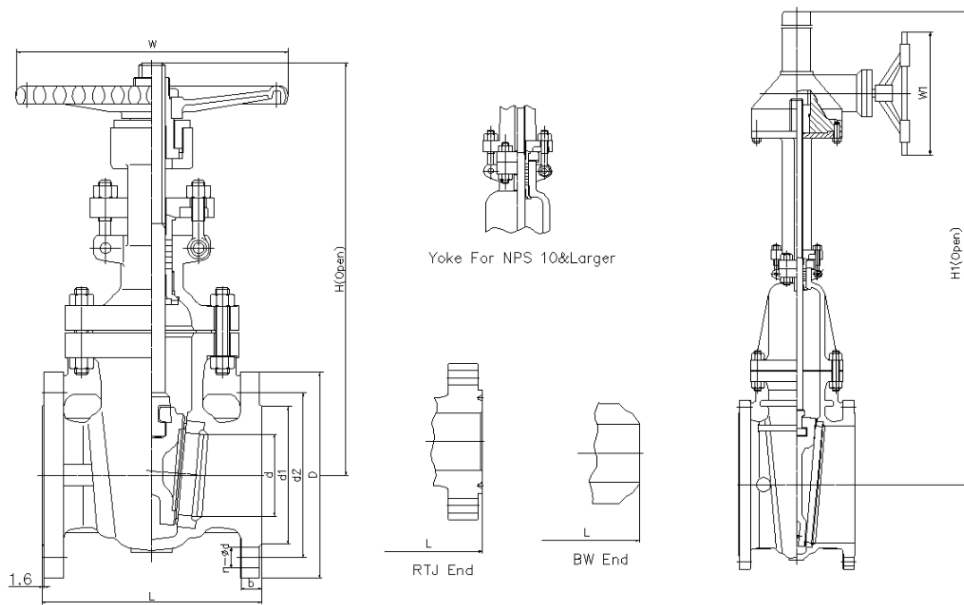
Manufacturing Standards

API 6D, 600, 598, 591, 602, 6FA, 594, 6A
ISO 14313, 10497, 5752, 7259, 5996, 7005, 5210, 5211, 520
ANSI-ASME B16.34, B16.10, B16.20, B16.25, B16.5, B16.47, B16.42, B1.1, B16.1
AWWA C500, C501, C508, C509
AWS 5.9, AWS 5.1, AWS 5.4, AWS 5.5, AWS 5.13, AWS 5.14, AWS 5.15
MSS SP45, SP6, SP9, SP25, SP41, SP55, SP82, SP85, SP70, SP71, SP101, SP102, SP44
ASTM A105, A126, A182, A193, A194, A216, A217, A320, A350, A351, A352, A395, A488, A536
BS 1414, 1873, 1868, 5146, 1560, 5152, 5153, 5159, 5352, 6755
NACE MR0175

EURA srl

Via Bissolati, 6 20125 Milano - Tel +39 02.89.05.26.98 Fax +39 02.68.87.635
sales@euraitaly.com - www.euraitaly.com

GATE VALVES ANSI 150 in carbon steel, dimensions:



NPS	in	2	2 1/2	3	4	5	6	8	10	12	14	16	18	20	24
d	mm	51	64	76	102	127	152	203	254	305	337	387	438	489	591
L(RF)	mm	178	190	203	229	254	267	292	330	356	381	406	432	457	508
L(BW)	mm	216	241	283	305	381	403	419	457	502	572	610	660	711	813
L(RTJ)	mm	191	203	216	241	267	279	305	343	368	394	419	445	470	521
d1	mm	92	105	127	157	186	216	270	324	381	413	470	533	584	692
d2	mm	120.5	139.5	152.5	190.5	216	241.5	298.5	362	432	476	540	578	635	749.5
D	mm	152	178	190	229	254	279	343	406	483	533	597	635	699	813
b	mm	16	18	19	24	24	26	29	31	32	35	37	40	43	48
n-Φd	mm	4-19	4-19	4-19	8-19	8-22	8-22	8-22	12-25	12-25	12-29	16-29	16-32	20-32	20-35
H	mm	400	435	515	595	725	780	975	1150	1380	1545	1733	1915	2122	2520
H1	mm						820	1020	1200	1430	1580	1780	1990	2220	2600
W	mm	200	200	250	280	280	300	350	400	450	500	500	500	600	600
W1	mm						310	310	310	310	310	460	460	460	460

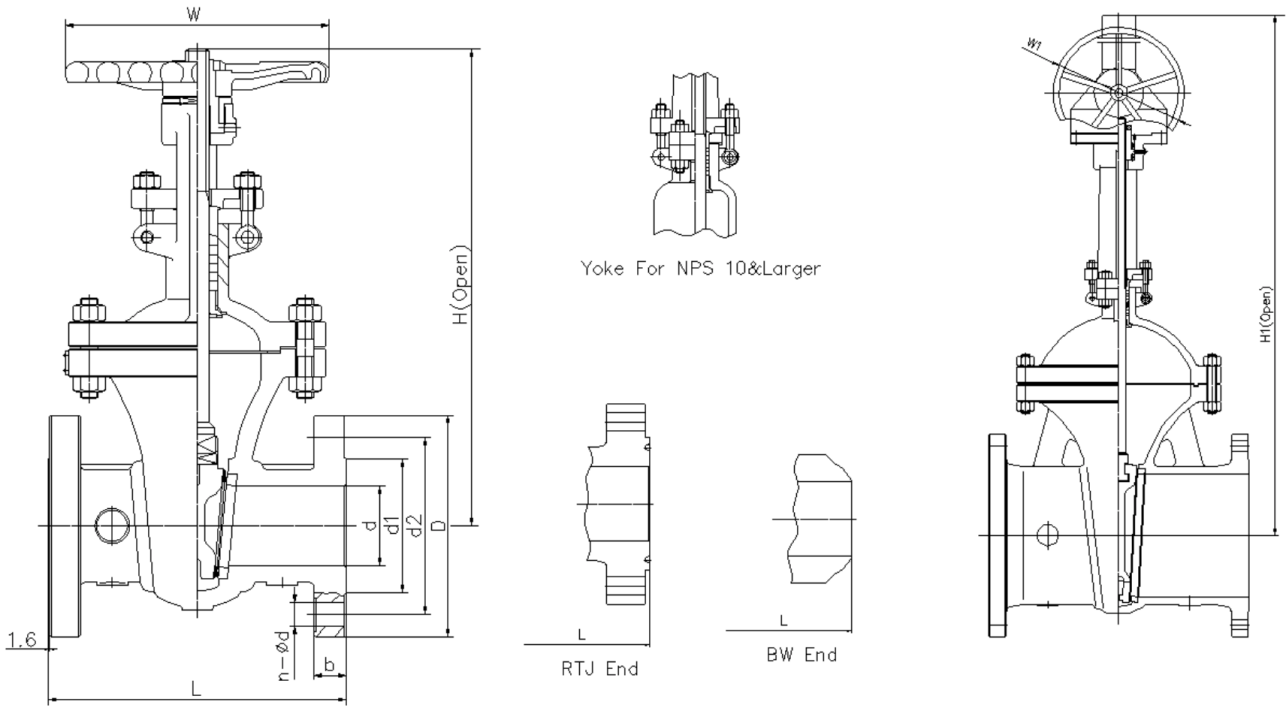


CE-1521-1
CE-1521-2
CE-1521-3
CE-1521-4
CE-1521-5



**Eugitive
Emission
Test
Certificates
ISO 15848-1**

GATE VALVES ANSI 300 in carbon steel, dimensions:



NPS	in	2	2 1/2	3	4	5	6	8	10	12	14	16	18	20	24
d	mm	51	64	76	102	127	152	203	254	305	337	387	432	483	584
L(RF)	mm	216	241	283	305	381	403	419	457	502	762	838	914	991	1143
L(BW)	mm	216	241	283	305	381	403	419	457	502	762	838	914	991	1143
L(RTJ)	mm	232	257	298	321	397	419	435	473	518	778	854	930	1010	1165
d1	mm	92	105	127	157	186	216	270	324	381	413	470	533	584	692
d2	mm	127	149	168.5	200	235	270	330	387.5	451	514.5	571.5	628.5	686	813
D	mm	165	190	210	254	279	318	381	445	521	584	648	711	775	914
b	mm	23	26	29	32	35	37	42	48	51	54	58	61	64	70
n-φd	mm	8-19	8-22	8-22	8-22	8-22	12-22	12-25	16-29	16-32	20-32	20-35	24-35	24-35	24-41
H	mm	420	446	537	619	722	806	1000	1240	1425	1585	1790	1960	2158	2576
H _i	mm				650	750	835	1030	1280	1460	1620	1830	2000	2220	2620
W	mm	200	200	250	280	300	350	400	450	500	500	600	650	750	900
W ₁	mm				310	310	310	310	310	310	460	460	460	460	600



CE-1521-1
CE-1521-2
CE-1521-3
CE-1521-4
CE-1521-5

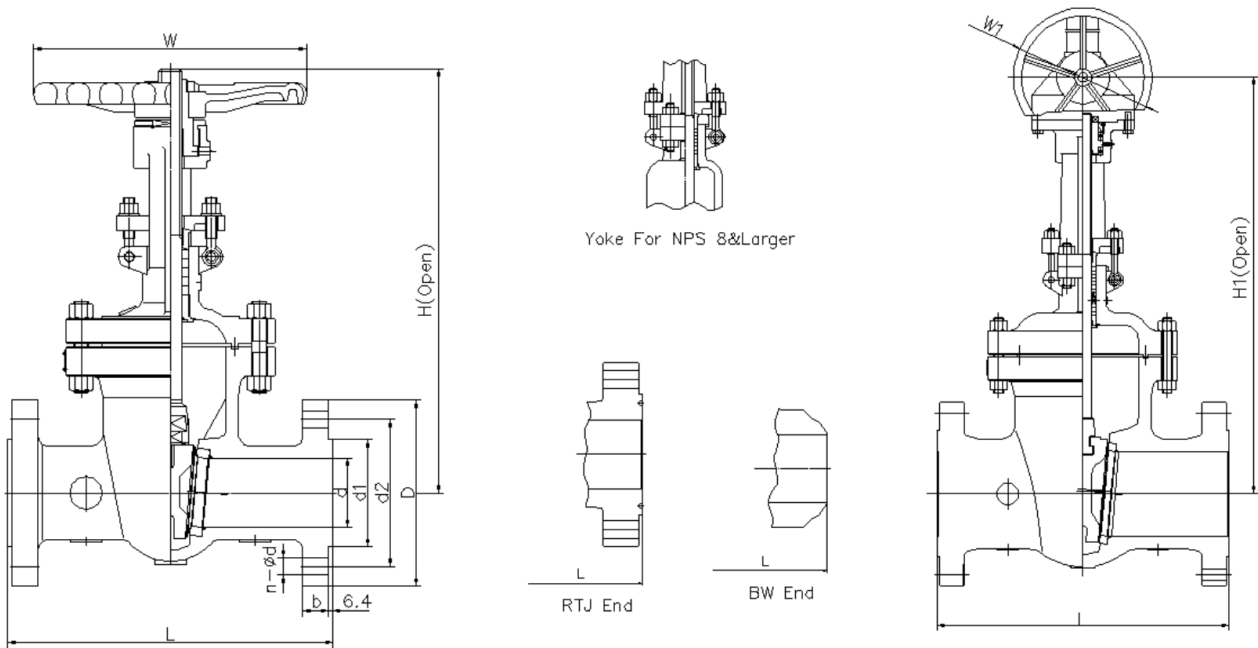


**Eugitive
Emission
Test
Certificates
ISO 15848-1**

EURA srl

Via Bissolati, 6 20125 Milano - Tel +39 02.89.05.26.98 Fax +39 02.68.87.635
sales@euraitaly.com - www.euraitaly.com

GATE VALVES ANSI 600 in carbon steel, dimensions:



NPS	in	2	2 1/2	3	4	5	6	8	10	12	14	16	18	20	24
d	mm	51	64	76	102	127	152	200	248	298	327	375	419	464	559
L(RF)	mm	292	330	356	432	508	559	660	787	838	889	991	1092	1194	1397
L(BW)	mm	292	330	356	432	508	559	660	787	838	889	991	1092	1194	1397
L(RTJ)	mm	295	333	359	435	511	562	664	791	841	892	994	1095	1200	1407
d1	mm	92	105	127	157	186	216	270	324	381	413	470	533	584	692
d2	mm	127	149	168.5	216	267	292	349	432	489	527	603	654	724	838
D	mm	165	190	210	273	330	356	419	508	559	603	686	743	813	940
b	mm	26	29	32	38	45	48	56	64	67	70	77	83	89	102
n-φd	mm	8-19	8-22	8-22	8-25	8-29	12-29	12-32	16-35	20-35	20-38	20-41	20-44	24-44	24-52
H	mm	444	500	558	665	760	868	1073	1263	1600	1705	1835			
H ₁	mm			585	695	790	900	1110	1300	1650	1750	1900	2020	2172	2650
W	mm	200	250	280	300	350	450	500	650	700	900	900			
W ₁	mm			310	310	310	310	310	460	460	460	460	600	600	600

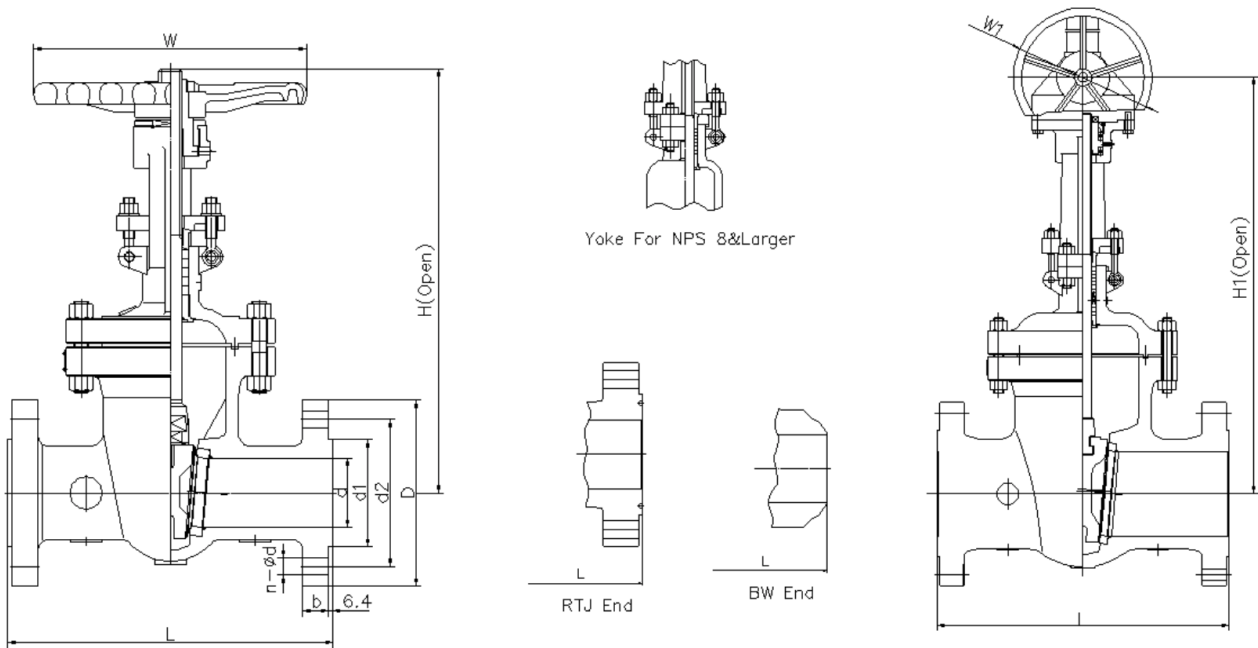


CE-1521-1
CE-1521-2
CE-1521-3
CE-1521-4
CE-1521-5



**Eugitive
Emission
Test
Certificates
ISO 15848-1**

GATE VALVES ANSI 900 in carbon steel, dimensions:



NPS	in	2	2 1/2	3	4	5	6	8	10	12	14	16	18	20	24
d	mm	47	57	73	98	121	146	190	234	282	311	354	400	444	533
L(RF)	mm	368	419	381	457	559	610	737	838	965	1029	1130	1219	1321	1549
L(BW)	mm	368	419	381	457	559	610	737	838	965	1029	1130	1219	1321	1549
L(RTJ)	mm	371	422	384	460	562	613	740	841	968	1039	1140	1232	1334	1568
d1	mm	92	105	127	157	186	216	270	324	381	413	470	533	584	692
d2	mm	165	190.5	190.5	235	279.4	317.5	393.7	469.9	533.4	558.8	615.9	685.8	749.3	901.7
D	mm	216	244	241	292	349	381	470	545	610	640	705	785	855	1040
b	mm	38.5	41.5	38.5	44.5	51	56	64	70	79.5	86	89	102	108	140
n-Φd	mm	8-26	8-29	8-26	8-32	8-35	12-32	12-39	16-39	20-39	20-42	20-45	20-51	20-54	20-67
H	mm	500	550	610	702	850	980	1100	1320	1500	1900	2050			
H1	mm			660	750	900	1060	1140	1370	1560	1950	2100	2300	2450	2600
W	mm	280	280	300	350	400	500	650	700	900	900	900			
W1	mm			310	310	310	460	460	460	460	600	600	600	600	600



CE-1521-1
CE-1521-2
CE-1521-3
CE-1521-4
CE-1521-5

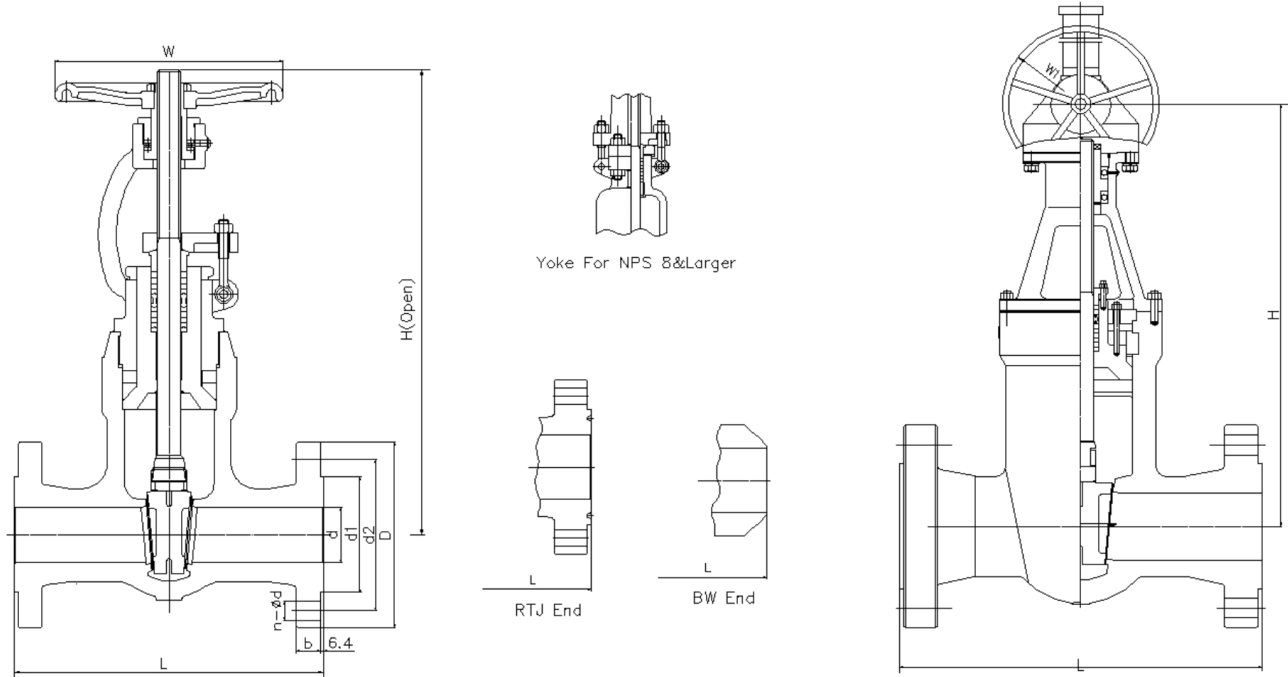


**Eugitive
Emission
Test
Certificates
ISO 15848-1**

EURA srl

Via Bissolati, 6 20125 Milano - Tel +39 02.89.05.26.98 Fax +39 02.68.87.635
sales@euraitaly.com - www.euraitaly.com

GATE VALVES ANSI 1500 in carbon steel, dimensions:



NPS	n	2	2 1/2	3	4	5	6	8	10	12	14	16
d	mm	47	57	70	92	111	136	178	222	263	289	330
L(RF)	mm	368	419	470	546	673	705	832	991	1130	1257	1384
L(BW)	mm	368	419	470	546	673	705	832	991	1130	1257	1384
L(RTJ)	mm	371	422	473	549	676	711	841	1000	1146	1276	1407
d1	mm	92	105	127	157	186	216	270	324	381	413	470
d2	mm	165	190.5	203.2	241.3	292.1	317.5	393.7	482.6	571.5	635	704.8
D	mm	216	244	267	311	375	394	483	585	675	750	825
b	mm	38.5	41.5	48	54	73.5	83	92.9	108	124	133.5	146.5
n-Φd	mm	8-26	8-29	8-32	8-35	8-42	12-39	12-45	12-51	16-54	16-61	16-67
H	mm	510	560	620	728	870	1000	1130	1360			
H ₁	mm			670	770	920	1070	1180	1410	1620	2020	2180
W	mm	280	300	350	400	450	500	750	900			
W ₁	mm			310	310	310	460	460	600	600	600	600

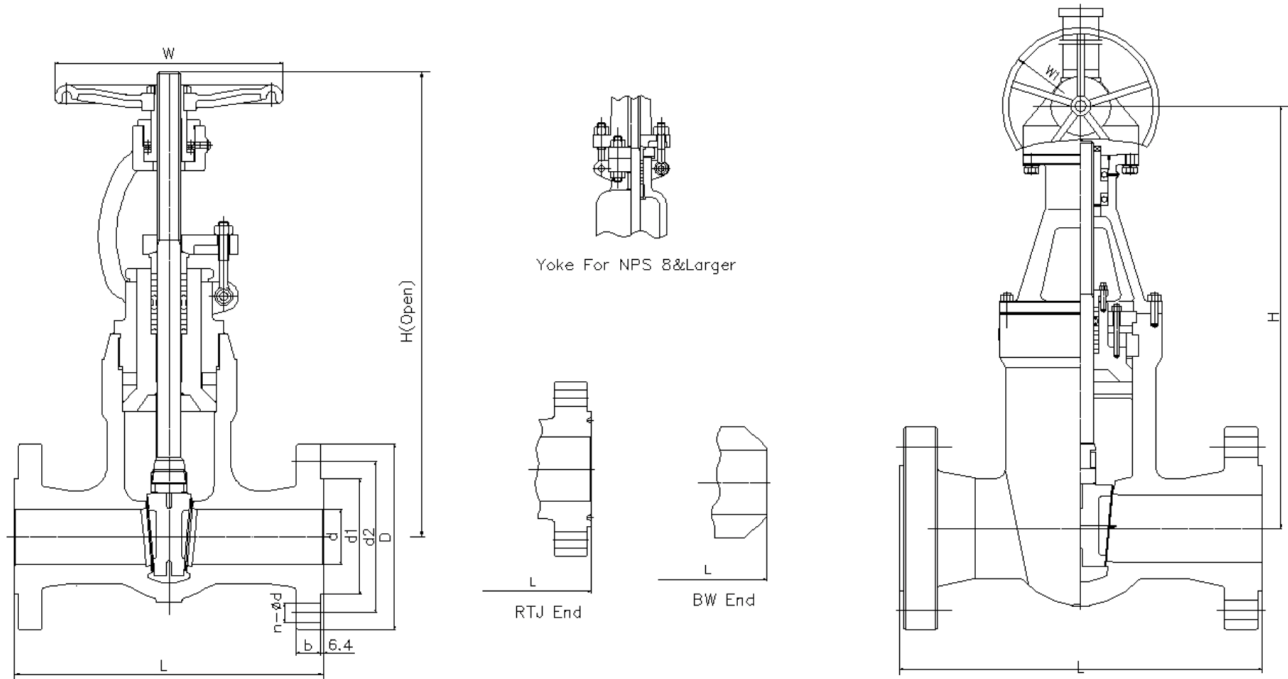


CE-1521-1
CE-1521-2
CE-1521-3
CE-1521-4
CE-1521-5



**Fugitive
Emission
Test
Certificates
ISO 15848-1**

GATE VALVES ANSI 2500 in carbon steel, dimensions:



NPS	in	2	2 1/2	3	4	5	6	8	10	12
d	mm	38	47	57	73	92	111	146	184	219
L(RF)	mm	451	508	578	673	794	914	1022	1270	1422
L(BW)	mm	451	508	578	673	794	914	1022	1270	1422
L(RTJ)	mm	454	514	584	683	807	927	1038	1292	1445
d1	mm	92	105	127	157	186	216	270	324	381
d2	mm	171.4	196.8	228.6	273	323.8	368.3	438.1	539.7	619.1
D	mm	235	267	305	356	419	483	550	675	760
b	mm	51	57.5	67	76.5	92.5	108	127	165.5	184.5
n-Φd	mm	8-29	8-32	8-35	8-42	8-48	8-54	12-54	12-67	12-74
H	mm	530	580	650	750	900	1040	1150	1400	
H ₁	mm	580	630	700	800	960	1100	1200	1460	1660
W	mm	280	300	350	400	500	600	750	900	
W ₁	mm	310	310	310	310	460	460	460	600	600



CE-1521-1
CE-1521-2
CE-1521-3
CE-1521-4
CE-1521-5



**Eugitive
Emission
Test
Certificates
ISO 15848-1**

Art. 300 Saracinesche serie API 600 – BS 1414 scartamenti ANSI B16.10, flange ANSI B16.5, oppure a saldare Butt Welding ANSI B16.25, test in conformità a API 598.

Art. 300 Gate valves series API 600, face to face ANSI B16.10, flanges B16.5, or Butt Welding ANSI B16.25. Test in conformity to API 598.

TRIM: API NORMS

Internal parts-API nr.	Seat ring or body	Gate / disc / ball or body	Stem	No of internal parts API nr.	Seat ring or body	Gate / disc / ball or body	Stem
1	13Cr	13Cr	13Cr	31	STELLITE	321SS	321SS
2	304SS	304SS	304SS	32	STELLITE	STELLITE	321SS
3	310SS	310SS	310SS	33	347SS	347SS	347SS
4	HARD 13Cr	HARD 13Cr	13Cr	34	STELLITE	347SS	347SS
5	STELLITE	STELLITE	13Cr	35	NICKEL ALLOY	13Cr	13Cr
6	Cu-Ni	13Cr	13Cr	36	A105/PTFE	A105+ENP	A105+ENP
7	13Cr	HARD 13Cr	13Cr	37	A105/PTFE	WCB+ENP	A105+ENP
8	STELLITE	13Cr	13Cr	38	13Cr/PTFE	13Cr	13Cr
9	Cu-Ni	Cu-Ni	Cu-Ni	39	304SS/PTFE	304SS	304SS
10	316SS	316SS	316SS	40	316SS/PTFE	316SS	316SS
11	Cu-Ni	STELLITE	Cu-Ni	41	A105/RPTFE	A105+ENP	A105+ENP
12	STELLITE	316SS	316SS	42	A105/RPTFE	WCB+ENP	A105+ENP
13	ALLOY 20	ALLOY 20	ALLOY 20	43	13Cr/RPTFE	13Cr	13Cr
14	STELLITE	ALLOY 20	ALLOY 20	44	304SS/RPTFE	304SS	304SS
15	STELLITE	STELLITE	304SS	45	316SS/RPTFE	316SS	316SS
16	STELLITE	STELLITE	316SS	46	A105/NYLON	A105+ENP	A105+ENP
17	STELLITE	STELLITE	347SS	47	A105/NYLON	WCB+ENP	A105+ENP
18	STELLITE	STELLITE	ALLOY 20	48	A105/NYLON	304SS	304SS
19	MONEL	MONEL	MONEL	49	A105/NYLON	316SS	316SS
20	BRONZE	BRONZE	13Cr	50	13Cr/NYLON	13Cr	13Cr
21	HASTELLOY B	HASTELLOY B	HASTELLOY B	51	304SS/NYLON	304SS	304SS
22		HASTELLOY C	HASTELLOY C	52	316SS/NYLON	316SS	316SS
23	STELLITE	304SS	304SS	53	A105/PEEK	A105+ENP	A105+ENP
24	304LSS	304LSS	304LSS	54	A105/PEEK	WCB+ENP	A105+ENP
25	STELLITE	304LSS	304LSS	55	13Cr/PEEK	13Cr	13Cr
26	STELLITE	STELLITE	304LSS	56	304SS/PEEK	304SS	304SS
27	316LSS	316LSS	316LSS	57	316SS/PEEK	316SS	316SS
28	STELLITE	316LSS	316LSS				
29	STELLITE	STELLITE	316LSS				
30	321SS	321SS	321SS				