

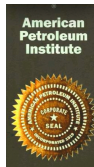


Art. 300 Saracinesche in bronzo serie API 600 – BS 1414 certificate e marcate CE scartamenti ANSI B16.10, flange ANSI B16.5, oppure a saldare Butt Welding ANSI B16.25, test in conformità a API 598. Disponibili in bronzo alluminio ASTM B148 Gr.C95800, C95500, C95200, C95300, C95600, C61900, C63200 Ideali per l'industria navale, le industrie chimiche, gli impianti di dissalazione, le piattaforme off-shore.

OS&Y, vite esterna, disegno in conformità a API 600 – BS 1414.



Art. 300 Gate valves in bronze series API 600, certified and marked CE, face to face ANSI B16.10, flanges B16.5, or Butt Welding ANSI B16.25. Test in conformity to API 598. Available in aluminium bronze ASTM B148 Gr.C95800, C95500, C95200, C95300, C95600, C61900, C63200. OS&Y rising stem, design in conformity to API 600 – BS 1414.



CE-1521-1
CE-1521-2
CE-1521-3
CE-1521-4
CE-1521-5



*Fugitive
Emission
Test
Certificates
ISO 15848-1*

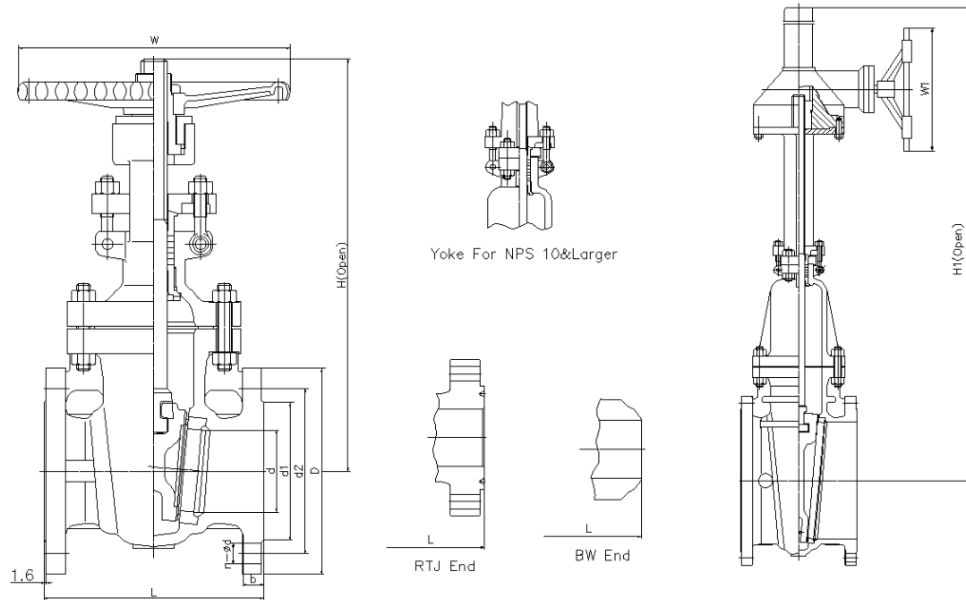
Manufacturing Standards

API 6D, 600, 598, 591, 602, 6FA, 594, 6A
ISO 14313, 10497, 5752, 7259, 5996, 7005, 5210, 5211, 520
ANSI-ASME B16.34, B16.10, B16.20, B16.25, B16.5, B16.47, B16.42, B1.1, B16.1
AWWA C500, C501, C508, C509
AWS 5.9, AWS 5.1, AWS 5.4, AWS 5.5, AWS 5.13, AWS 5.14, AWS 5.15
MSS SP45, SP6, SP9, SP25, SP41, SP55, SP82, SP85, SP70, SP71, SP101, SP102, SP44
ASTM A105, A126, A182, A193, A194, A216, A217, A320, A350, A351, A352, A395, A488, A536
BS 1414, 1873, 1868, 5146, 1560, 5152, 5153, 5159, 5352, 6755
NACE MR0175

EURA srl

Via Bissolati, 6 20125 Milano - Tel +39 02.89.05.26.98 Fax +39 02.68.87.635
sales@euraitaly.com - www.euraitaly.com

GATE VALVES ANSI 150 in bronze and aluminium bronze, dimensions:



NPS	in	2	2 1/2	3	4	5	6	8	10	12	14	16	18	20	24
d	mm	51	64	76	102	127	152	203	254	305	337	387	438	489	591
L(RF)	mm	178	190	203	229	254	267	292	330	356	381	406	432	457	508
L(BW)	mm	216	241	283	305	381	403	419	457	502	572	610	660	711	813
L(RTJ)	mm	191	203	216	241	267	279	305	343	368	394	419	445	470	521
d1	mm	92	105	127	157	186	216	270	324	381	413	470	533	584	692
d2	mm	120.5	139.5	152.5	190.5	216	241.5	298.5	362	432	476	540	578	635	749.5
D	mm	152	178	190	229	254	279	343	406	483	533	597	635	699	813
b	mm	16	18	19	24	24	26	29	31	32	35	37	40	43	48
n-Φd	mm	4-19	4-19	4-19	8-19	8-22	8-22	8-22	12-25	12-25	12-29	16-29	16-32	20-32	20-35
H	mm	400	435	515	595	725	780	975	1150	1380	1545	1733	1915	2122	2520
H1	mm						820	1020	1200	1430	1580	1780	1990	2220	2600
W	mm	200	200	250	280	280	300	350	400	450	500	500	500	600	600
W1	mm						310	310	310	310	310	460	460	460	460

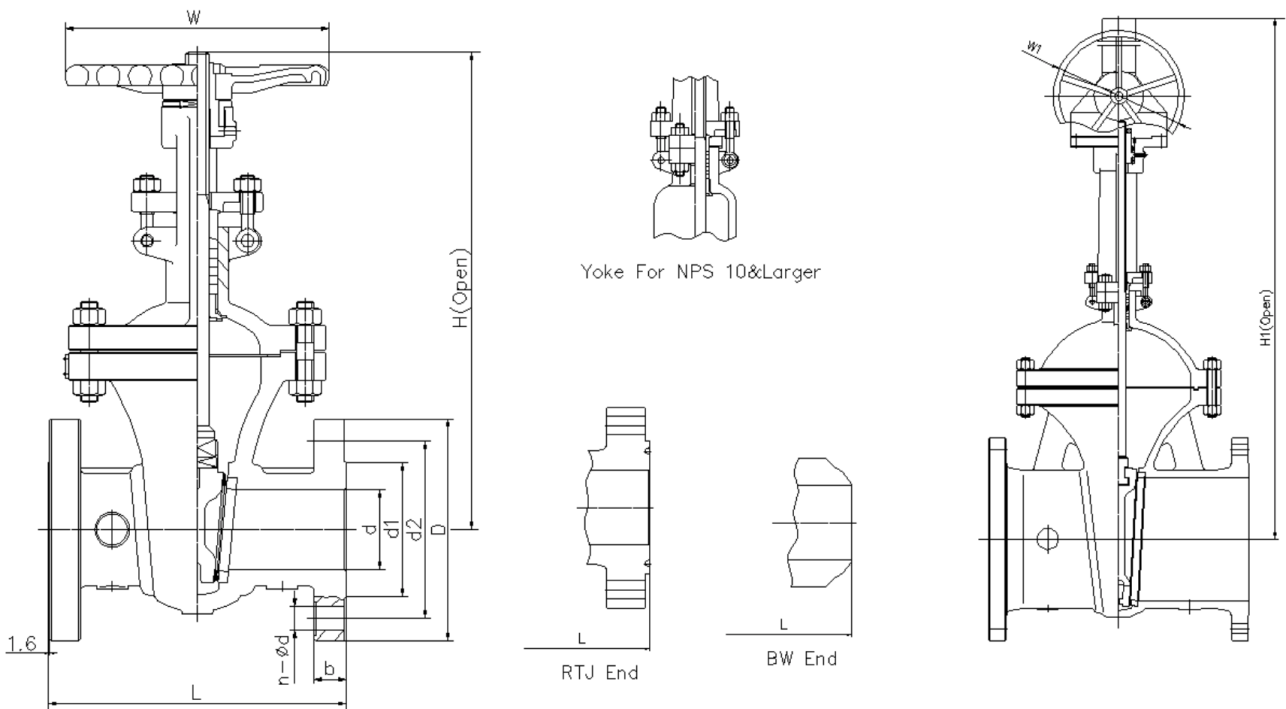


CE-1521-1
CE-1521-2
CE-1521-3
CE-1521-4
CE-1521-5



Egitive
Emission
Test
Certificates
ISO 15848-1

GATE VALVES ANSI 300 in bronze and aluminium bronze, dimensions:



NPS	in	2	2 1/2	3	4	5	6	8	10	12	14	16	18	20	24
d	mm	51	64	76	102	127	152	203	254	305	337	387	432	483	584
L(RF)	mm	216	241	283	305	381	403	419	457	502	762	838	914	991	1143
L(BW)	mm	216	241	283	305	381	403	419	457	502	762	838	914	991	1143
L(RTJ)	mm	232	257	298	321	397	419	435	473	518	778	854	930	1010	1165
d1	mm	92	105	127	157	186	216	270	324	381	413	470	533	584	692
d2	mm	127	149	168.5	200	235	270	330	387.5	451	514.5	571.5	628.5	686	813
D	mm	165	190	210	254	279	318	381	445	521	584	648	711	775	914
b	mm	23	26	29	32	35	37	42	48	51	54	58	61	64	70
n-φd	mm	8-19	8-22	8-22	8-22	8-22	12-22	12-25	16-29	16-32	20-32	20-35	24-35	24-35	24-41
H	mm	420	446	537	619	722	806	1000	1240	1425	1585	1790	1960	2158	2576
H ₁	mm				650	750	835	1030	1280	1460	1620	1830	2000	2220	2620
W	mm	200	200	250	280	300	350	400	450	500	500	600	650	750	900
W ₁	mm				310	310	310	310	310	310	460	460	460	460	600

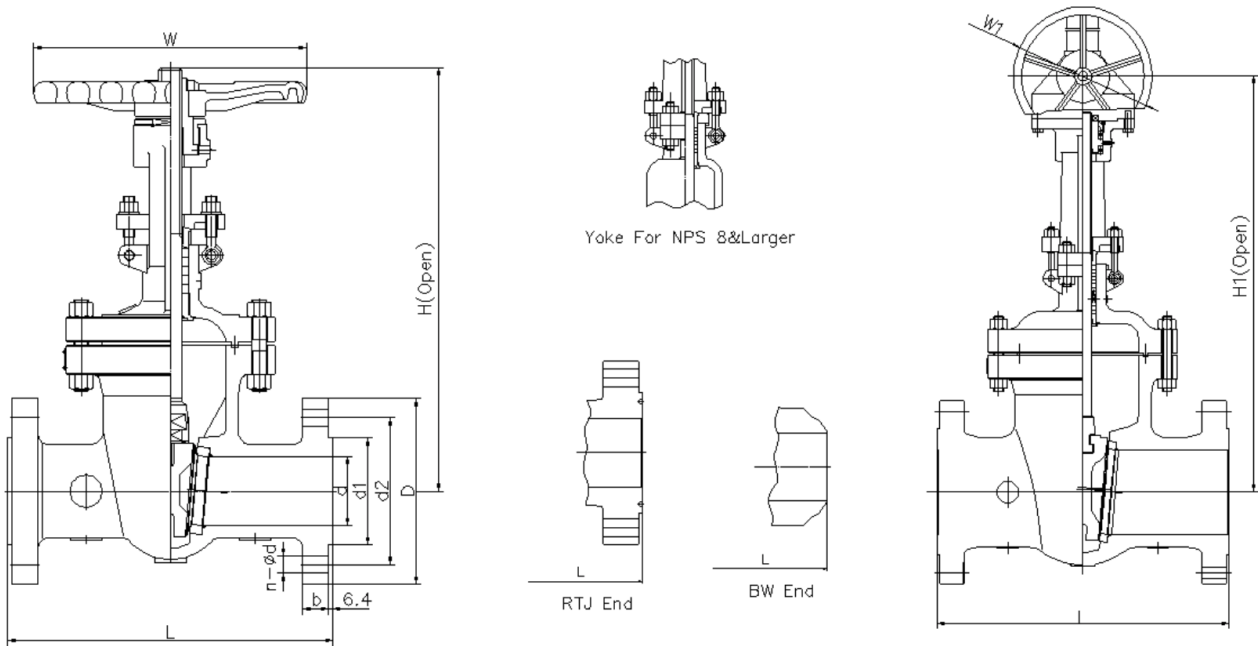


CE-1521-1
CE-1521-2
CE-1521-3
CE-1521-4
CE-1521-5



**Eugitive
Emission
Test
Certificates
ISO 15848-1**

GATE VALVES ANSI 600 in bronze and aluminium bronze, dimensions:



NPS	in	2	2 1/2	3	4	5	6	8	10	12	14	16	18	20	24
d	mm	51	64	76	102	127	152	200	248	298	327	375	419	464	559
L(RF)	mm	292	330	356	432	508	559	660	787	838	889	991	1092	1194	1397
L(BW)	mm	292	330	356	432	508	559	660	787	838	889	991	1092	1194	1397
L(RTJ)	mm	295	333	359	435	511	562	664	791	841	892	994	1095	1200	1407
d1	mm	92	105	127	157	186	216	270	324	381	413	470	533	584	692
d2	mm	127	149	168.5	216	267	292	349	432	489	527	603	654	724	838
D	mm	165	190	210	273	330	356	419	508	559	603	686	743	813	940
b	mm	26	29	32	38	45	48	56	64	67	70	77	83	89	102
n-φd	mm	8-19	8-22	8-22	8-25	8-29	12-29	12-32	16-35	20-35	20-38	20-41	20-44	24-44	24-52
H	mm	444	500	558	665	760	868	1073	1263	1600	1705	1835			
H ₁	mm			585	695	790	900	1110	1300	1650	1750	1900	2020	2172	2650
W	mm	200	250	280	300	350	450	500	650	700	900	900			
W ₁	mm			310	310	310	310	310	460	460	460	460	600	600	600



CE-1521-1
CE-1521-2
CE-1521-3
CE-1521-4
CE-1521-5

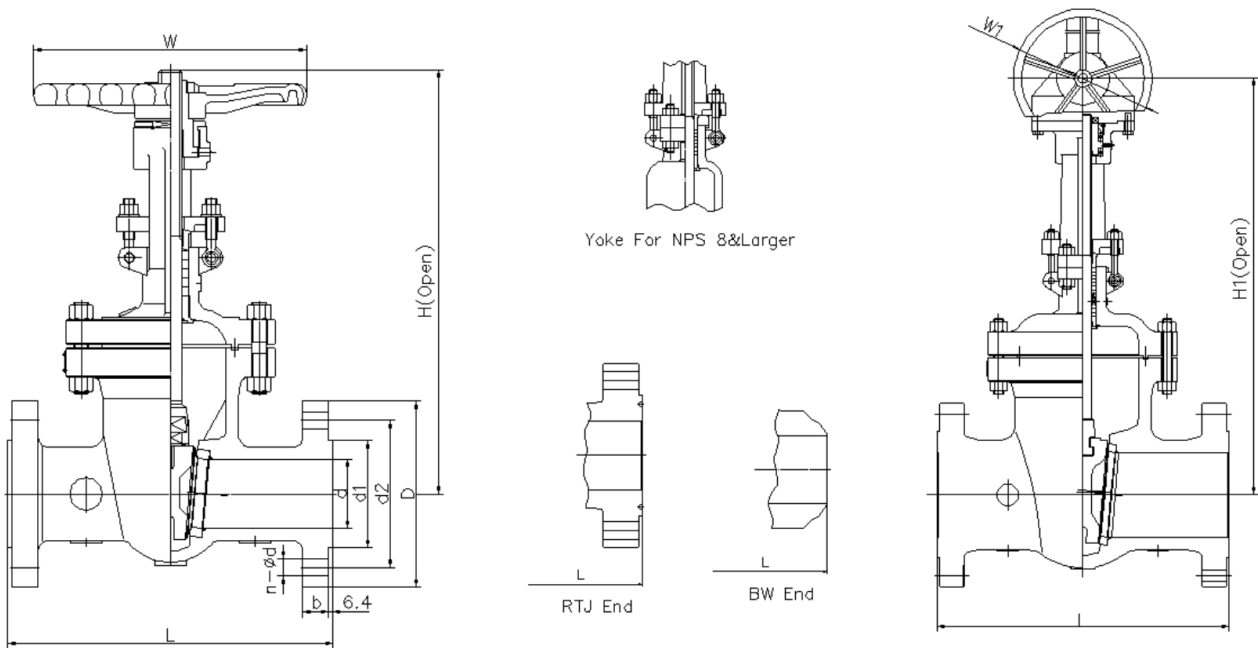


**Fugitive
Emission
Test
Certificates
ISO 15848-1**

EURA srl

Via Bissolati, 6 20125 Milano - Tel +39 02.89.05.26.98 Fax +39 02.68.87.635
sales@euraitaly.com - www.euraitaly.com

GATE VALVES ANSI 900 in bronze and aluminium bronze, dimensions:



NPS	in	2	2 1/2	3	4	5	6	8	10	12	14	16	18	20	24
d	mm	47	57	73	98	121	146	190	234	282	311	354	400	444	533
L(RF)	mm	368	419	381	457	559	610	737	838	965	1029	1130	1219	1321	1549
L(BW)	mm	368	419	381	457	559	610	737	838	965	1029	1130	1219	1321	1549
L(RTJ)	mm	371	422	384	460	562	613	740	841	968	1039	1140	1232	1334	1568
d1	mm	92	105	127	157	186	216	270	324	381	413	470	533	584	692
d2	mm	165	190.5	190.5	235	279.4	317.5	393.7	469.9	533.4	558.8	615.9	685.8	749.3	901.7
D	mm	216	244	241	292	349	381	470	545	610	640	705	785	855	1040
b	mm	38.5	41.5	38.5	44.5	51	56	64	70	79.5	86	89	102	108	140
n-Φd	mm	8-26	8-29	8-26	8-32	8-35	12-32	12-39	16-39	20-39	20-42	20-45	20-51	20-54	20-67
H	mm	500	550	610	702	850	980	1100	1320	1500	1900	2050			
H ₁	mm			660	750	900	1060	1140	1370	1560	1950	2100	2300	2450	2600
W	mm	280	280	300	350	400	500	650	700	900	900	900			
W ₁	mm			310	310	310	460	460	460	460	600	600	600	600	600



CE-1521-1
CE-1521-2
CE-1521-3
CE-1521-4
CE-1521-5



**Eugitive
Emission
Test
Certificates
ISO 15848-1**