

500 Series

Valvola di sicurezza ASME Section VIII a capacità certificata per protezione da sovrappressione di vapore, aria/gas e liquidi. Elevata capacità di progettazione degli ugelli, disponibile a passaggio totale con sede metallica, PCTFE o O-ring.

MATERIALI:

Corpo: Bronzo ASTM B584 / acciaio ASTM A216 / inox A351 SS

Dado: Ottone B16/ ASTM A479 SS

Molla: acciaio inox

Sede: acciaio inox



SPECIFICHE:

ASME Section VIII

da 5 a 1200 psig ad un massimo di 426°C (800°F)

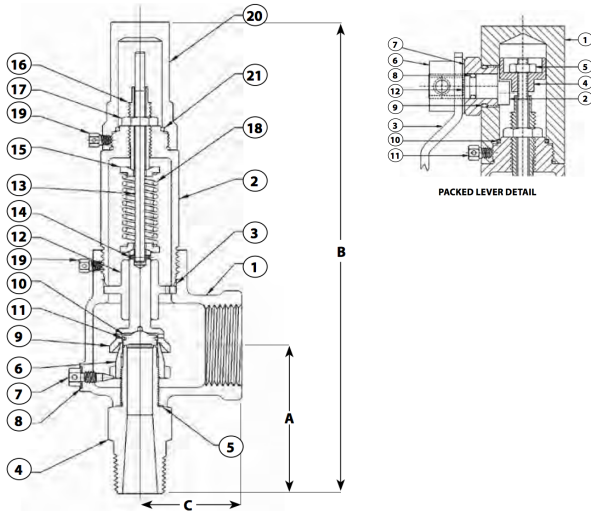
attacco al processo 1/2" – 2" NPT

disponibile in Bronzo, Acciaio o Acciaio Inox

sede metallica, O-ring e PCTFE a richiesta

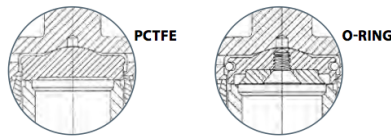
Direttiva 97/23/EC (PED)

Direttiva 2002/95/CE (RoHS)



500 ASSEMBLY W/SCREWED CAP

500 SERIES SOFT SEAT DETAIL



Materials - 500 Series

Item	Component	Material 510 Series	Material 520 Series	Material 530 Series	Material 540 Series
1	Body	Bronze B584C844	Bronze B584C844	Steel SA216WCB	SS SA351CF8M
2	Bonnet	Brass*	Brass*	Steel**	SS Type 316***
3	Bonnet Seal	PTFE	PTFE	PTFE	PTFE
4	Nozzle	Brass B16	SS Type 316	SS Type 316	SS Type 316
5	Nozzle Seal	PTFE	PTFE	PTFE	PTFE
6	Nozzle Ring	SS Type 316	SS Type 316	SS Type 316	SS Type 316
7	Set Screw	Brass	Brass	SS Type 316	SS Type 316
8	Set Screw Seal	PTFE	PTFE	PTFE	PTFE
9	Disc Holder	Brass	SS Type 316	SS Type 316	SS Type 316
10	Disc	SS Type 316	SS Type 316	SS Type 316	SS Type 316
11	Retaining Ring	Stainless Steel	Stainless Steel	Stainless Steel	Stainless Steel
12	Disc Guide	Brass	Brass	SS Type 316	SS Type 316
13	Stem	Brass	Brass	SS Type 316	SS Type 316
14	Spring Pin	Stainless Steel	Stainless Steel	Stainless Steel	Stainless Steel
15	Spring Washer	Brass	Brass	SS Type 316	SS Type 316
16	Adjusting Bolt	Brass	Brass	SS Type 316	SS Type 316
17	Lock nut	Brass	Brass	SS Type 316	SS Type 316
18	Spring	Stainless Steel	Stainless Steel	Stainless Steel	Stainless Steel
	Spring, High Temp.	Inconel	Inconel	Inconel	Inconel
19	Lock Screw	Stainless Steel	Stainless Steel	Stainless Steel	Stainless Steel
20	Cap, Screwed	Brass	Brass	Steel	SS Type 316
21	Seal, Cap	Viton	Viton	Viton	Viton
	Nameplate	Stainless Steel	Stainless Steel	Stainless Steel	Stainless Steel
	Drive Screw	Stainless Steel	Stainless Steel	Stainless Steel	Stainless Steel
	Seal & Wire	Lead/SS	Lead/SS	Lead/SS	Lead/SS
	Seal & Wire (CE)			Alum/SS	Alum/SS

* Size G, H and J are Cast Bronze

** Size H and J are Cast Steel

*** Size H and J are Cast Stainless Steel Type 316

APPROVAZIONI:



Materials, Lift Lever Option - 500 Series

Item	Component	Material 513, 523 Series	Material 533 Series	Material 543 Series
1	Cap, Packed Lever	Brass	Steel	SS Type 316
2	Cam Bushing	Stainless Steel	Stainless Steel	Stainless Steel
3	Lever	Stainless Steel	Stainless Steel	Stainless Steel
4	Lift Washer	Stainless Steel	Stainless Steel	Stainless Steel
5	Locknut	Stainless Steel	Stainless Steel	Stainless Steel
6	Collar	Stainless Steel	Stainless Steel	Stainless Steel
7	Cam Bushing	Brass	Stainless Steel	Stainless Steel
8	Cam O-Ring	Viton	Viton	Viton
9	Seal, Cap	Viton	Viton	Viton
10	Seal, Cap	Viton	Viton	Viton
11	Set Screw	Stainless Steel	Stainless Steel	Stainless Steel
12	Washer	PTFE	PTFE	PTFE

500 Series

Model Number	Orifice Letter	Size InletxOutlet	A	B	C	Weight (kg)
5xxDC	D	1/2 x 1	60	191	41	0,9
5xxDCD*	D	1/2 x 3/4	60	191	41	0,9
5xxDD	D	3/4 x 1	60	191	41	0,9
5xxDDD*	D	3/4 x 3/4	60	191	41	0,9
5xxED	E	3/4 x 1-1/4	67	229	51	1,4
5xxEE	E	1 x 1-1/4	67	229	51	1,4
5xxFE	F	1 x 1-1/2	73	260	60	2,3
5xxFF	F	1-1/4 x 1-1/2	73	260	60	2,3
5xxGF	G	1-1/4 x 2	83	337	67	4,1
5xxGG	G	1-1/2 x 2	83	337	67	4,31
5xxHG	H	1-1/2 x 2-1/2	89	381	70	7,0
5xxHH	H	2 x 2-1/2	89	381	70	7,3
5xxJH	J	2 x 3	102	432	83	10,9

*3/4 Outlet option available with 510 and 520 bronze bodied models only

eurasrl

EURA srl

Via Bissolati, 6 20125 Milano - Tel +39 02.89.05.26.98 Fax +39 02.68.87.635
sales@euraitaly.com - www.euraitaly.com